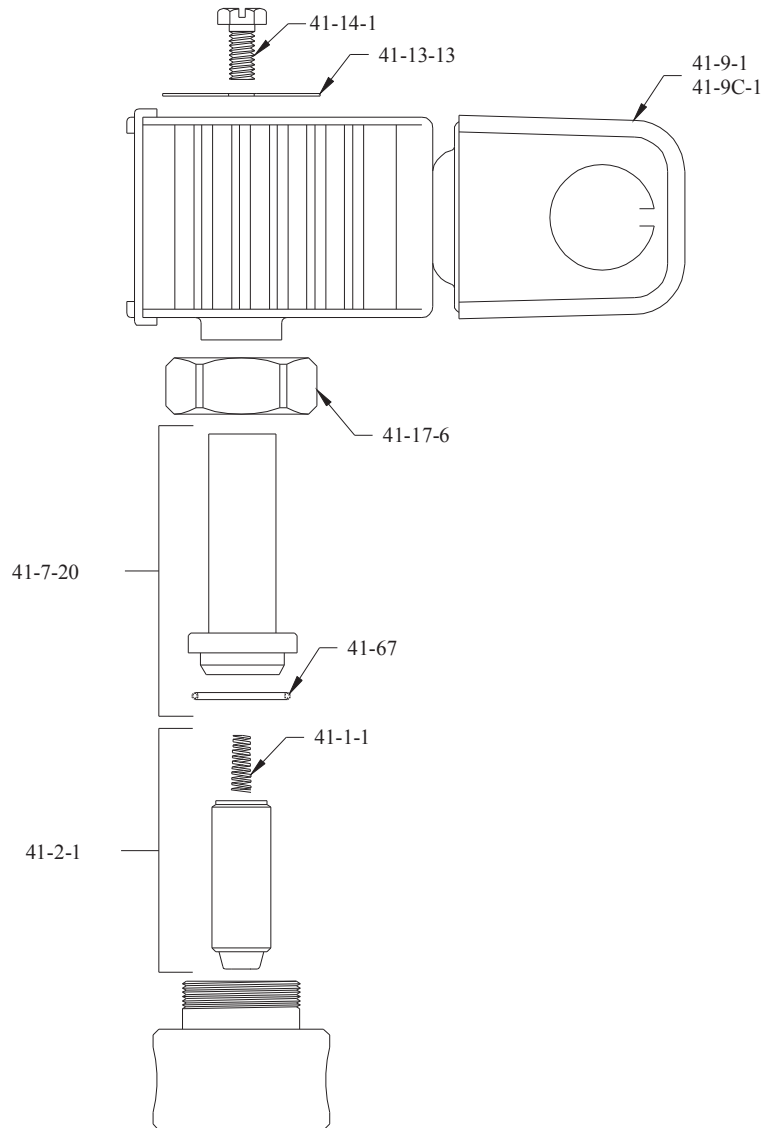


# DEMA MODEL 424-2 SOLENOID VALVE



PART NO.	DESCRIPTION
41-1-1	Plunger Spring
41-2-1	Plunger (including spring) – EPDM
41-2-10	Plunger (including spring) – Teflon
41-2-13	Plunger (including spring) – Viton
41-67	O-Ring
41-7-20	Tube Assembly
41-9-1	Solenoid Coil (specify voltage)
41-9C-1	Optional Solenoid Coil with Conduit Boss
41-13-13	Name Plate (specify model)
41-14-1	Top Plug Screw