

66 Series, TSF

High Flow Triplex Pump

FEATURES

- Oversized roller bearings
- Fully anodized crankcase
- Innovative new seal design extends seal life
- New plunger design improves thermal shock resistance
- New valve cap improves hydrostatic performance



SPECIFICATIONS

| Pump Model | TSF1819 | TSF2019 | TSF2019 Alternate Spec | TSF2019DS Dual Shaft | TSF2021 | TSF2021 Alternate Spec | TSF2219 | TSF2219 Alternate Spec | TSF2221 | TSF2221 Alternate Spec | TSF2819 | TSF2421 | TSF2421 Alternate Spec |
|----------------------------|--------------------------|------------------|------------------------|----------------------|------------------|------------------------|-----------|------------------------|----------|------------------------|-----------------|-----------|------------------------|
| Maximum Volume | 6.3 GPM | 7.6 GPM | 6.3 GPM | 7.6 GPM | 8.5 GPM | 7.0 GPM | 9.3 GPM | 7.7 GPM | 10.2 GPM | 8.5 GPM | 12.1 GPM | 12.0 GPM | 10.0 GPM |
| Maximum Discharge Pressure | 4350 PSI | 4000 PSI | 4350 PSI | 4000 PSI | 3600 PSI | | 3000 PSI | | | 2200 PSI | 2500 PSI | 3000 PSI | |
| Horsepower | 18.8 EBHP | 20.8 EBHP | 18.7 EBHP | 20.8 EBHP | 21 EBHP | 17.3 BHP | 19.1 BHP | 15.8 BHP | 21 BHP | 17.5 BHP | 18.2 EBHP | 20.5 EBHP | 17.1 EBHP |
| Maximum Pump Speed | 1750 RPM | | 1450 RPM | 1750 RPM | 1750 RPM | 1450 RPM | 1750 RPM | 1450 RPM | 1750 RPM | 1450 RPM | | 1750 RPM | 1450 RPM |
| Maximum Inlet Pressure | 125 PSI | | | | | | | | | | | | |
| Maximum Inlet Vacuum | 9 ft. water / 7.9 in. Hg | | | | | | | | | | | | |
| Plunger Bore (in / mm) | .709 in. / 18 mm | .787 in. / 20 mm | | | | .866 in. / 22 mm | | | | 1.102 / 28 mm | .945 / 24 mm | | |
| Plunger Stroke (in / mm) | .748 in. / 19 mm | | | | .826 in. / 21 mm | | .748 / 19 | .826 in / 21 mm | | .748 / 19 mm | .826 in / 21 mm | | |
| Oil Capacity | 33.8 oz. | | | | | | | | | | | | |
| Maximum Fluid Temperature | 165° F | | | | | | | | | | | | |
| Inlet Port Thread | 3/4"-14 BSP-F | | | | | | | | | | | | |
| Discharge Port Thread | 3/8"-19 BSP-F | | | | | | | | | | | | |
| Shaft Diameter (in / mm) | .945 in. / 24 mm | | | | | | | | | | | | |
| Weight | 40.7 lbs / 18.5 kg | | | | | | | | | | | | |
| Dimensions | 14.94" x 9.78" x 6.99" | | | | | | | | | | | | |

TRIPLEX

TRIPLEX



General Pump is a member of the Interpump Group



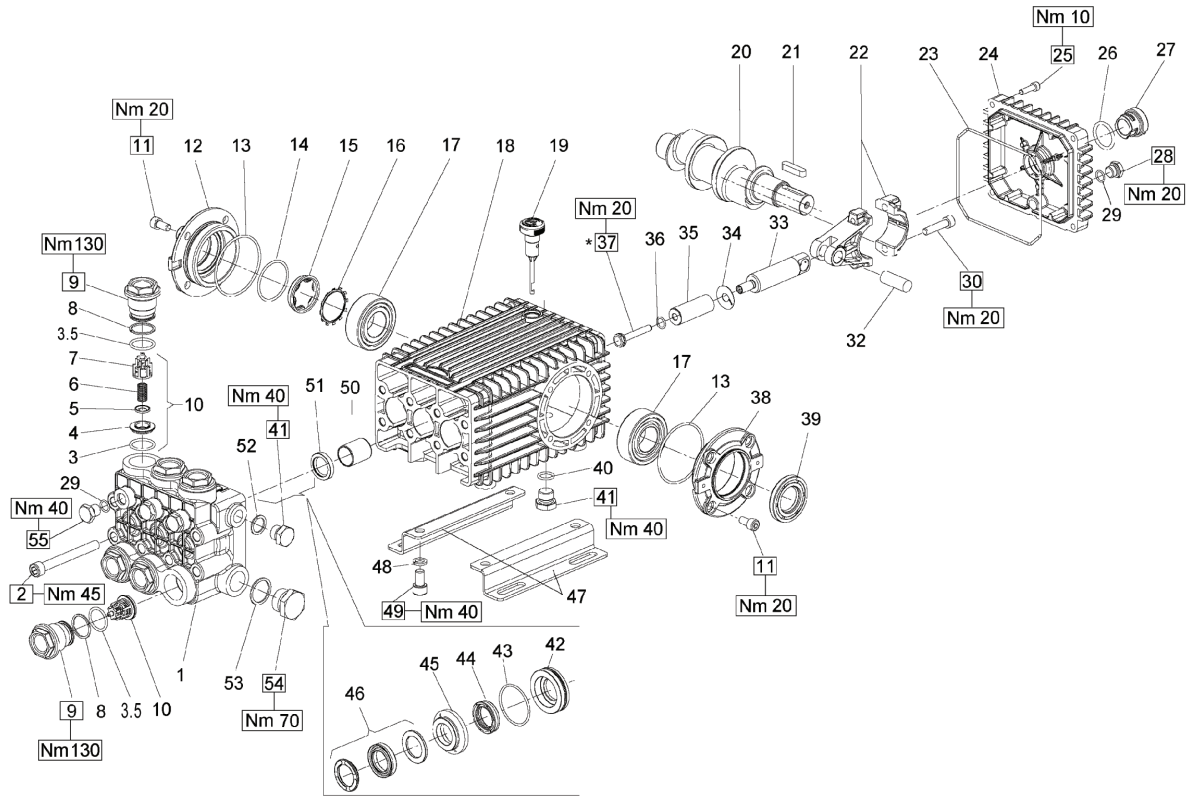
Ref 310045 Rev. P 11-21



66 Series, TSF

GENERAL PUMP

A member of the Interpump Group



PARTS LIST

| POS. | PART NO. | DESCRIPTION | QTY. | POS. | PART NO. | DESCRIPTION | QTY. | POS. | PART NO. | DESCRIPTION | QTY. |
|------|----------|----------------------------|------|------|----------|--------------------------|------|------|----------|---------------------------|------|
| 1 | 66124541 | Manifold, Ø 18mm | 1 | 21 | 91489200 | Key, 9x7x35 | 1 | 42 | 66080470 | Seal Retainer, Ø 24mm | 3 |
| | 66120041 | Manifold, Ø 20mm | 1 | 22 | 66030001 | Connecting Rod, Complete | 3 | | 66082570 | Seal Retainer, Ø 28mm | 3 |
| | 66120141 | Manifold, Ø 22 mm | 1 | 23 | 90392200 | O-ring, Ø133.02x2.62 | 1 | 43 | 90361600 | O-ring, Ø 34.65x1.78 | 3 |
| | 66120241 | Manifold, Ø 24mm | 1 | 24 | 66160022 | Rear Cover | 1 | 44 | 90265200 | LP Seal, Ø 18mm | 3 |
| | 66124641 | Manifold, Ø 28mm | 1 | 25 | 99188400 | Screw, M6x20 | 4 | | 90269000 | LP Seal, Ø 20mm | 3 |
| 2 | 99380100 | Headbolt M10 x 90 | 8 | 26 | 90405100 | O-ring, 26.58x3.53 | 1 | | 90271500 | LP Seal, Ø 22mm | 3 |
| 3 | 90385700 | O-ring, Ø 23.81x2.62 | 6 | 27 | 63210051 | Oil Level Indicator | 1 | | 90273800 | LP Seal, Ø 24mm | 3 |
| 3.5 | 90385700 | O-ring, Ø 23.81x2.62 | 6 | 28 | 98204100 | Plug, G1/4"x9 | 1 | | 90275300 | LP Seal, Ø 28mm | 3 |
| 4 | 36203366 | Valve Seat | 6 | 29 | 701013 | O-ring, Ø 426x.070 | 4 | 45 | 66216370 | Intermediate Ring, Ø 18mm | 3 |
| 5 | 36203476 | Valve Poppet | 6 | 30 | 99309900 | Screw, M8x35 | 6 | | 66216070 | Intermediate Ring, Ø 20mm | 3 |
| 6 | 94738800 | Valve Spring Ø10x18x18.5 | 6 | 32 | 97740500 | Wrist Pin, 14x39 | 3 | | 66216170 | Intermediate Ring, Ø 22mm | 3 |
| 7 | 36203551 | Valve Guide | 6 | 33 | 66050066 | Piston | 3 | | 66216470 | Intermediate Ring, Ø 24mm | 3 |
| 8 | 90516500 | Anti-ext ring Ø24.7x29x1.5 | 6 | 34 | 96710100 | Flinger Washer | 3 | | 66220070 | Intermediate Ring, Ø 28mm | 3 |
| 9 | 66130041 | Plug, M32x1.5x29.5 | 6 | 35 | 66040309 | Plunger, Ø 18mm | 3 | 46 | 90265500 | HP Seal, Ø 18mm | 3 |
| 10 | 36712701 | Valve Assy., Complete | 6 | | 66040009 | Plunger, Ø 20mm | 3 | | 90269200 | HP Seal, Ø 20mm | 3 |
| 11 | 99303900 | Screw M8 x 16 | 8 | | 66040109 | Plunger, Ø 22 mm | 3 | | 90271700 | HP Seal, Ø 22mm | 3 |
| 12 | 47151222 | Cover | 1 | | 66040409 | Plunger, Ø 24mm | 3 | | 90274100 | HP Seal, Ø 24mm | 3 |
| 13 | 701147 | O-ring, Ø67.95x2.62 | 2 | | 66041009 | Plunger, Ø 28mm | 3 | | 90275400 | HP Seal, Ø 28mm | 3 |
| 14 | 90387700 | O-ring, Ø 39.34x2.62 | 1 | 36 | 90358400 | O-ring, Ø 10.82x1.78 | 3 | 47 | 47200074 | Pump Rail | 2 |
| 15 | 70211801 | Oil Sight Glass | 1 | 37 | 66219566 | Plunger Bolt | 3 | 48 | 96710600 | Washer M10 | 4 |
| 16 | 90075600 | Retainer Clip | 1 | 38 | 47151022 | Side Cover, PTO | 1 | 49 | 99364400 | Screw M10 x 18 | 4 |
| 17 | 91838000 | Bearing | 2 | 39 | 90164800 | Seal, Shaft | 1 | 50 | 90912600 | Guide Bushing | 3 |
| 18 | 66010022 | Crankcase | 1 | 40 | 90383300 | O-ring, Ø 13.95x2.62 | 1 | 51 | 90162500 | Seal, Plunger Rod | 3 |
| 19 | 98210600 | Dipstick, vented | 1 | 41 | 98210000 | Plug 3/8 x 13 | 2 | 52 | 96738000 | Gasket, Aluminum 3/8" | 1 |
| 20 | 66021035 | Crankshaft, 19mm Stroke | 1 | 42 | 66080370 | Seal Retainer, Ø 18mm | 3 | 53 | 96770000 | Washer | 1 |
| | | Dual Shaft | | | 66080070 | Seal Retainer, Ø 20mm | 3 | 54 | 98226800 | Plug, G3/4"x16 | 1 |
| | 66020035 | Crankshaft, 19mm Stroke | 1 | | 66080170 | Seal Retainer, Ø 22mm | 3 | 55 | 98204300 | Plug 1/4" x 13 | 3 |
| | 66020435 | Crankshaft, 21mm Stroke | 1 | | | | | | | | |

REPAIR KITS

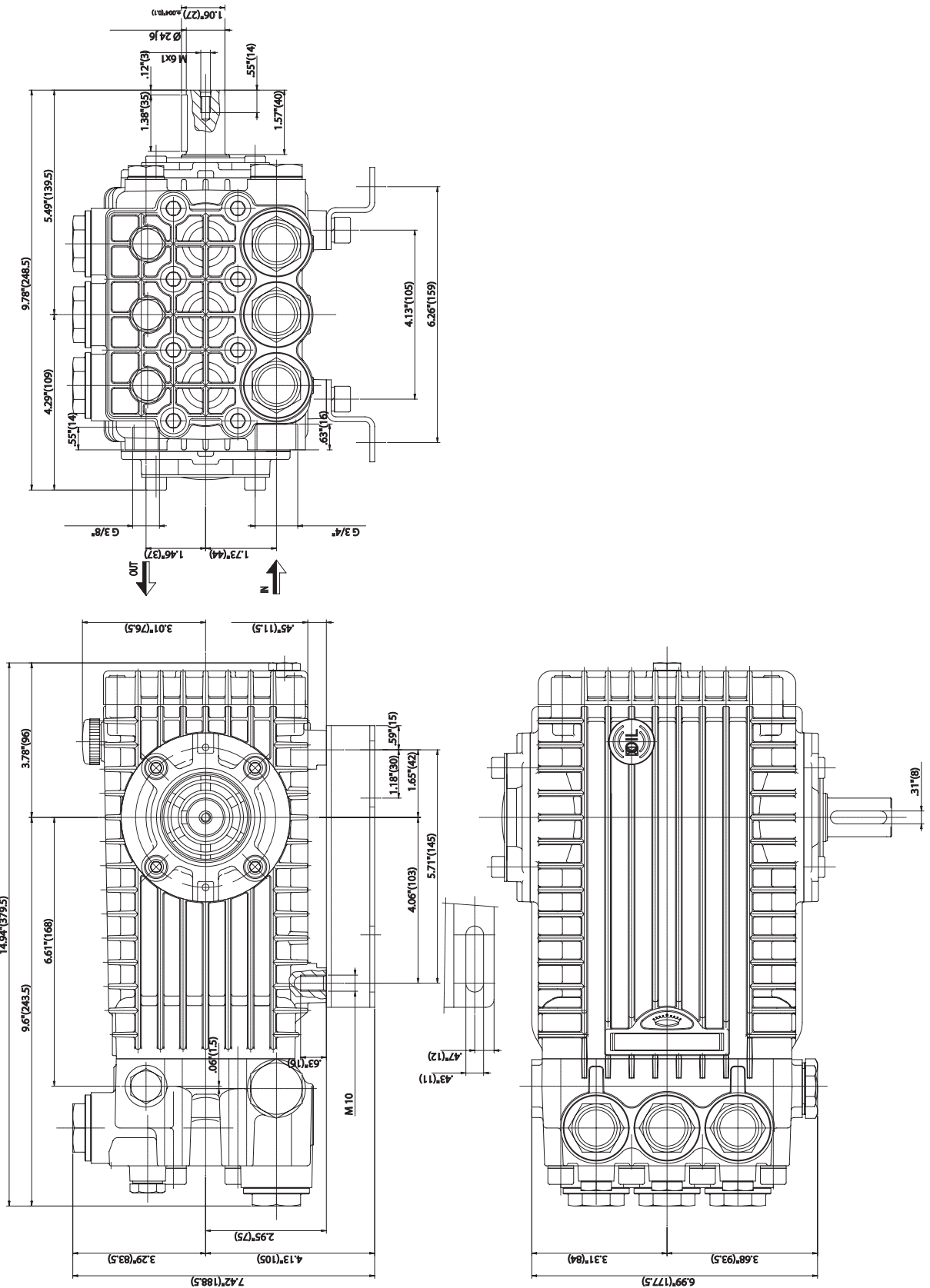
| KIT NO. | K02 | K03 | K169 | K180 (18mm) | K176 (18mm) | K170 (20mm) | K171 (20mm) | K172 (22mm) | K173 (22mm) | K181 (24 mm) | K182 (24mm) | K248 (28mm) | K247 (28mm) |
|--------------------------------------|-----|-----|--------------------|-------------|--------------------|-------------|--------------------|-------------|--------------------|--------------|--------------------|-------------|--------------------|
| POS. NO's INCLUDED IN KIT | 51 | 39 | 3, 4, 5, 6, 7 (10) | 44, 46 | 42, 43, 44, 45, 46 | 44, 46 | 42, 43, 44, 45, 46 | 44, 46 | 42, 43, 44, 45, 46 | 44, 46 | 42, 43, 44, 45, 46 | 44, 46 | 42, 43, 44, 45, 46 |
| NUMBER OF ASSEMBLIES IN KIT | 3 | 1 | 6 | 3 | 1 | 3 | 1 | 3 | 1 | 3 | 1 | 3 | 1 |
| NUMBER OF CYLINDERS KIT WILL SERVICE | 3 | N/A | 3 | 3 | 1 | 3 | 1 | 3 | 1 | 3 | 1 | 3 | 1 |

66 Series, TSF

GENERAL PUMP

A member of the Interpump Group

DIMENSIONAL DRAWING



TORQUE SPECS*

| POS. | Nm | Ft/lb |
|------|-----|-------|
| 2 | 45 | 33.2 |
| 9 | 130 | 95.9 |
| 11 | 20 | 14.8 |
| 25 | 10 | 7.4 |
| 28 | 20 | 14.8 |
| 30 | 20 | 14.8 |
| 37** | 20 | 14.8† |
| 41 | 40 | 29.5 |
| 49 | 40 | 29.5 |
| 54 | 70 | 51.6 |
| 55 | 40 | 29.5 |

* Decrease torque by 20% if threads are lubricated

** Use Loc-Tite 542 or similar

OIL CHANGING

1. Oil changing must be done with the pump at operating temperature.
- 1.2 Put a container under the oil drain plug (3).
- 1.3 Remove the oil dipstick (1) and then the drain plug (3).
- 1.4 Wait until all the oil has drained out, then screw the drain plug (3) and tighten at the torque shown in the exploded diagram and above table.
- 1.5 Fill with new oil (General Pump Series 100) until the middle of the oil sight glass is reached, screw by hand the oil dipstick (1).

