

FEATURES

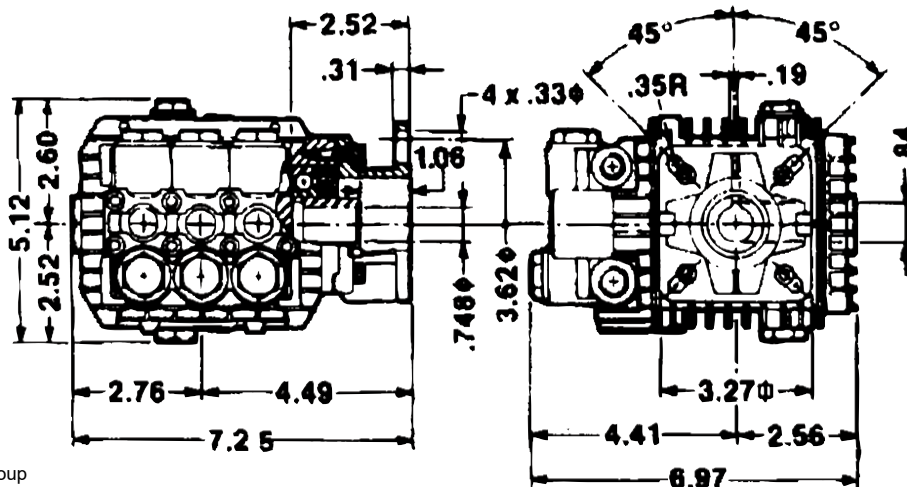
- Forged brass manifold with exclusive lifetime warranty
- Die-cast anodized aluminum, oil-bath crankcase
- Solid ceramic plungers with continuously lubricated packings
- The original Interpump unitized, stainless steel, K01 inlet and outlet valves
- Ideal for all general cleaning applications
- Comes standard with SAE J609 gasoline engine mounting flange
- Also available in "L" left-handed versions



SPECIFICATIONS

Pump Model	TT9061GBF	TT9071GBF	TT1540GBF	TT2028GBF	TT2035GBF
Max Volume	2.11 GPM	2.8 GPM	4.0 GPM	2.8 GPM	3.5 GPM
Max Discharge Pressure	1500 PSI			2000 PSI	
Max Pump Speed	3400 RPM				
Max Inlet Pressure	125 PSI				
Max Inlet Vacuum	3 ft. Water (2.6 in. Hg)				
Bore	.591 in. / 15 mm				
Stroke	.197 in./5mm	.260 in./6.6 mm	.370 in./9.4 mm	.260 in./6.6 mm	.315 in./8 mm
Crankcase Oil Capacity	11.2 oz.				
Max Fluid Temperature	165° F				
Inlet Port Thread	3/8"-19 BSPP-F				
Discharge Port Thread	1/4"-19 BSPP-F				
Shaft Diameter	3/4 in. / 19 mm				
Weight	11.4 lbs.				
Dimensions	7.2" x 7.2" x 5.5"				

DIMENSIONAL DRAWING



TRIPLEX

TRIPLEX



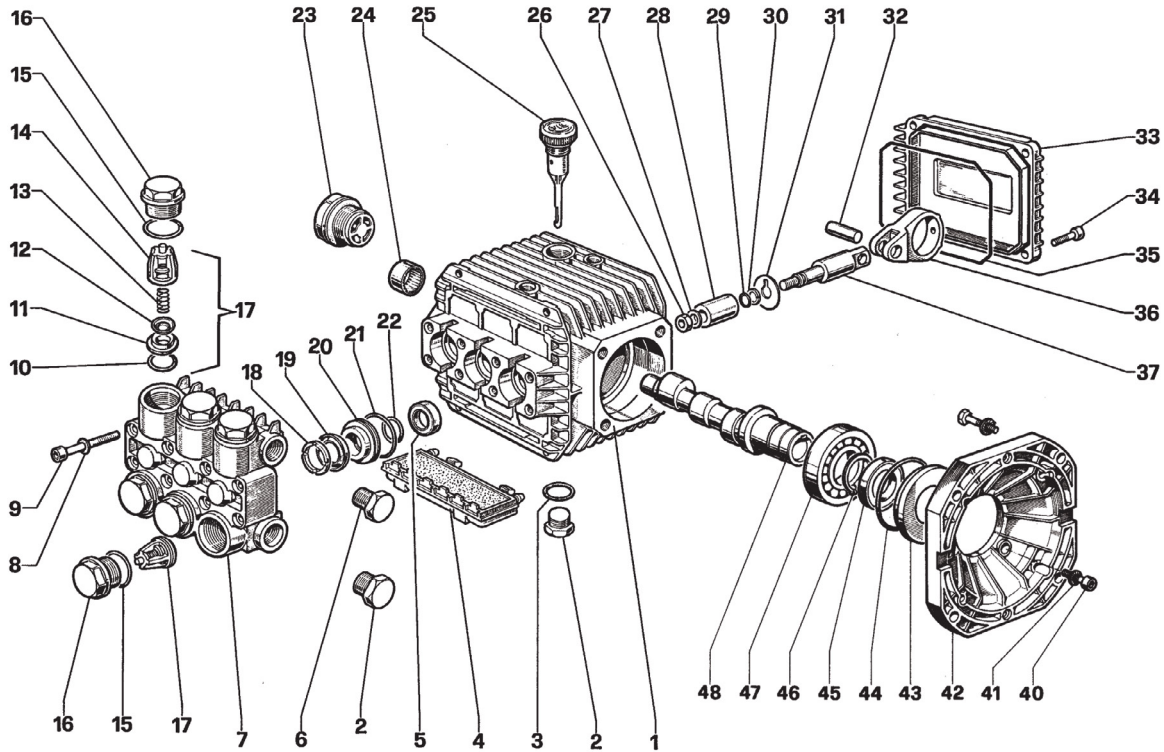
General Pump is a member of the Interpump Group

Ref 300225 Rev F
11-18



TT Series 51, GBF

GENERAL PUMP *A member of the Interpump Group*



PARTS LIST

No.	Part No.	Description	Qty.	No.	Part No.	Description	Qty.	No.	Part No.	Description	Qty.
1	51010622	Crankcase	1	17	36703201	Valve Assembly	6	34	99186700	Screw	4
2	98210000	Plug, 3/8"-BSPP	2	18	51100051	Head Ring	3	35	51030022	O-ring	1
3	90383300	O-ring, .549 x .103	1	19	90262000	Packing	3	36	51030022	Connecting Rod	3
4	51209102	Protector	1	20	51080070	Packing Retainer	3	37	51050056	Piston Guide	3
5	90156500	Oil Seal	3	21	90360400	O-ring, .989 x .070	3	38	99273000	Screw, 5/16	4
6	98204100	Plug	1	22	90383500	O-ring, .594 x .103	3	39	96701400	Washer, M8.4, Schnorr	4
7	51120041	Manifold, Brass	1	23	97596800	Sight Gauge	1	40	99186700	Screw, M8 x 18	4
	51120022	Manifold, Aluminum	1	24	91801500	Needle Bearing	1	41	96693800	Washer, 6.4, Schnorr	4
8	96693800	Washer, M6.4, Schnorr	12	25	98210300	Oil Dip Stick	1	42	10034622	Flange	1
9	99194300	Screw, M6 x 40	12	26	92221600	Nut, M8	3	43	50211551	Spacer	1
10	90384100	O-ring, .674 x .103	6	27	96700800	Washer, M8	3	44	90409700	O-ring, 2.187 x .139	1
11	36200366	Valve Seat	6	28	51040009	Plunger, 15 mm	3	45	90164400	Oil Seal	1
12	36200176	Valve Plate	6	29	90357200	O-ring, .208 x .070	3	46	90066700	Snap Ring	1
13	94737600	Spring	6	30	90502200	Back-up Ring	3	47	20283521	Bearing	1
14	36200251	Valve Cage	6	31	96707000	Washer, Flinger	3	48	51021035	Crankshaft (TT9061)	1
15	90384700	O-ring, .797 x .103	6	32	97371000	Connecting Rod Pin	1		51021165	Crankshaft (TT9071, TT2028)	1
16	98221800	Valve Cap	6	33	51160022	Crankcase Cover	4		51021965	Crankshaft (TT1540)	1
									21021835	Crankshaft (TT2035)	1

REPAIR KITS

KIT NO.	1	83	84	86	96	97
ITEM NO's INCLUDED IN KIT	10, 11, 12, 6, 7, 8 (17)	5	15, 16	20, 21, 22	18, 19, 20, 21, 22	18, 19, 21, 22
NUMBER OF ASSEMBLIES IN KIT	6	3	6	3	1	3
NUMBER OF CYLINDERS KIT WILL SERVICE	3	3	3	3	1	3

TORQUE SPECS*

Position	Ft. Lbs.
2	29.4
6	14.7
9	8.8
16	33.1
23	13.2
26	11.0
34	7.3
38	22.1
40	7.3
49	14.7
52	7.3

* Decrease torque by 20% if threads are lubricated

