



# Model LB

**INSTALLATION, OPERATION AND MAINTENANCE INSTRUCTIONS**

## Table of Contents

<b>SUBJECT</b>	<b>PAGE</b>
Safety Instructions .....	3
Important .....	3
Installation .....	3
Suction Piping .....	3
Discharge Piping.....	4
Rotation .....	4
Operation.....	4
Maintenance.....	4
Disassembly.....	4
Reassembly.....	5
Troubleshooting .....	5
LB Components Parts Table.....	6
Limited Warranty .....	7
Declaration of Conformity .....	21

### Owner's Information

Pump Model Number: \_\_\_\_\_

Pump Serial Number: \_\_\_\_\_

Dealer: \_\_\_\_\_

Dealer Phone No.: \_\_\_\_\_

Date of Purchase: \_\_\_\_\_

Date of Installation: \_\_\_\_\_

Current Readings at Startup:

<b>1 Ø</b>	<b>3 Ø</b>	<b>L1-2</b>	<b>L2-3</b>	<b>L3-1</b>
Amps: _____	Amps: _____	_____	_____	_____
Volts: _____	Volts: _____	_____	_____	_____

## SAFETY INSTRUCTIONS

**TO AVOID SERIOUS OR FATAL PERSONAL INJURY OR MAJOR PROPERTY DAMAGE, READ AND FOLLOW ALL SAFETY INSTRUCTIONS IN MANUAL AND ON PUMP.**

**THIS MANUAL IS INTENDED TO ASSIST IN THE INSTALLATION AND OPERATION OF THIS UNIT AND MUST BE KEPT WITH THE PUMP.**



This is a **SAFETY ALERT SYMBOL**. When you see this symbol on the pump or in the manual, look for one of the following signal words and be alert to the potential for personal injury or property damage.

**▲ DANGER** Warns of hazards that **WILL** cause serious personal injury, death or major property damage.

**▲ WARNING** Warns of hazards that **CAN** cause serious personal injury, death or major property damage.

**▲ CAUTION** Warns of hazards that **CAN** cause personal injury or property damage.

**NOTICE: INDICATES SPECIAL INSTRUCTIONS WHICH ARE VERY IMPORTANT AND MUST BE FOLLOWED.**

**THOROUGHLY REVIEW ALL INSTRUCTIONS AND WARNINGS PRIOR TO PERFORMING ANY WORK ON THIS PUMP.**

**MAINTAIN ALL SAFETY DECALS.**

### **▲ WARNING**



Hazardous fluids can cause fire, burns or death.

**UNIT NOT DESIGNED FOR USE WITH HAZARDOUS LIQUIDS OR FLAMMABLE GASES. THESE FLUIDS MAY BE PRESENT IN CONTAINMENT AREAS.**

## DESCRIPTION and SPECIFICATIONS:

The Model LB is a single stage, centrifugal jet pump for general liquid transfer service and booster applications. The liquid end utilizes a 304SS stamped casing, Noryl<sup>®</sup> impeller, Lexan<sup>®</sup> ejector and guidevane, Amodel<sup>®</sup> motor adapter and EPR o-rings. All motors are NEMA 48Y and 56Y square flange with a 304SS threaded shaft extension.

### 1. IMPORTANT

- 1.1 Inspect unit for damage. Report any damage to carrier/dealer immediately.
- 1.2 Electrical supply must be a separate branch circuit with fuses or circuit breakers, wire sizes, etc., in compliance with National and Local electrical codes. Install an all-leg disconnect switch near pump.

**▲ CAUTION** ALWAYS DISCONNECT ELECTRICAL POWER WHEN HANDLING PUMP OR CONTROLS.

1.3 Motors must be wired for proper voltage. Motor wiring diagram is on motor nameplate. Wire size must limit maximum voltage drop to 10% of nameplate voltage at motor terminals, or motor life and pump performance will be lowered.

1.4 Always use horsepower-rated switches, contactor and starters.

1.5 Motor protection

1.5.1 Single-phase: Thermal protection for single-phase units is sometimes built in (check nameplate). If no built-in protection is provided, use a contactor with a proper overload. Fusing is permissible.

1.5.2 Three-phase: Provide three-leg protection with properly sized magnetic starter and thermal overloads.

1.6 Maximum Operating Limits:

Liquid Temperature: 140°F (60°C)

Working Pressure: 85 PSI

Starts per Hour: 20, evenly distributed.

1.7 Regular inspection and maintenance will increase service life. Base schedule on operating time. Refer to Section 8.

## 2. INSTALLATION

2.1 Locate pump as near liquid source as possible (below level of liquid for automatic operation).

2.2 Protect from freezing or flooding.

2.3 Allow adequate space for servicing and ventilation.

2.4 All piping must be supported independently of the pump, and must “line-up” naturally.

**▲ CAUTION** NEVER DRAW PIPING IN PLACE BY FORCING THE PUMP SUCTION AND DISCHARGE CONNECTIONS.

2.5 Avoid unnecessary fittings. Select sizes to keep friction losses to a minimum.

2.6 Units may be installed horizontally, inclined or vertically.

**▲ CAUTION** DO NOT INSTALL WITH MOTOR BELOW PUMP. ANY LEAKAGE OR CONDENSATION WILL AFFECT THE MOTOR.

2.7 Foundation must be flat and substantial to eliminate strain when tightening bolts. Use rubber mounts to minimize noise and vibration.

2.8 Tighten motor hold-down bolts before connecting piping to pump.

## 3. SUCTION PIPING

3.1 Low static suction lift and short, direct, suction piping is desired. Consult pump performance curve for *Net Positive Suction Head Required*.

- 3.2 Suction pipe must be at least as large as the suction connection of the pump. Smaller size will degrade performance.
- 3.3 If larger pipe is required, an eccentric pipe reducer (with straight side up) must be installed at the pump.
- 3.4 Installation with pump below source of supply:
  - 3.4.1 Install full flow isolation valve in piping for inspection and maintenance.

**CAUTION** DO NOT USE SUCTION ISOLATION VALVE TO THROTTLE PUMP.

- 3.5 Installation with pump above source of supply:
  - 3.5.1 Avoid air pockets. No part of piping should be higher than pump suction connection. Slope piping upward from liquid source.
  - 3.5.2 All joints must be airtight.
  - 3.5.3 Foot valve to be used only if necessary for priming, or to hold prime on intermittent service.
  - 3.5.4 Suction strainer open area must be at least triple the pipe area.
- 3.6 Size of inlet from liquid source, and minimum submergence over inlet, must be sufficient to prevent air entering pump through vortexing. See Figures 2-5.
- 3.7 Use 3-4 wraps of teflon tape to seal threaded connections.

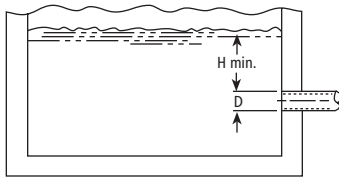


Figure 1

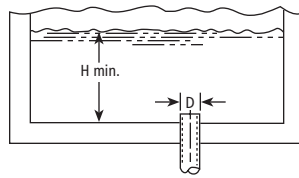


Figure 2

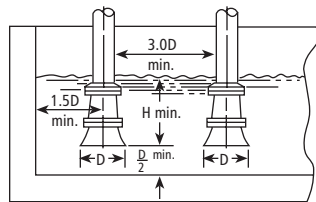


Figure 3

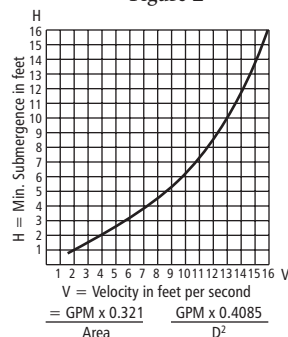


Figure 4

#### 4. DISCHARGE PIPING

- 4.1 Allowance should be made for disconnecting discharge piping near casing to allow for pump disassembly.
- 4.2 Arrangement must include a check valve located between a gate valve and the pump. The gate valve is for regulation of capacity, or for inspection of the pump or check valve.
- 4.3 If an increaser is required, place between check valve and pump.
- 4.4 Use 3-4 wraps of Teflon tape to seal threaded connections.

#### 5. ROTATION

- 5.1 Correct rotation is right-hand (clockwise when viewed from the motor end). Switch power on and off quickly. Observe shaft rotation. To change rotation:
  - 5.1.1 Single-phase motor: Non-reversible
  - 5.1.2 Three-phase motor: Interchange any two power supply leads.

#### 6. OPERATION

- 6.1 Before starting, pump must be primed (free of air and suction pipe full of liquid) and discharge valve partially open.
- 6.2 Make complete check after unit is run under operating conditions and temperature has stabilized. Check for expansion of piping.

#### 7. MAINTENANCE

- 7.1 Ball bearings are located in and are part of the motor. They are permanently lubricated. No greasing required.

**CAUTION** PUMPED LIQUID PROVIDES LUBRICATION. IF PUMP IS RUN DRY, ROTATING PARTS WILL SEIZE AND MECHANICAL SEAL WILL BE DAMAGED. DO NOT OPERATE AT OR NEAR ZERO FLOW. ENERGY IMPARTED TO THE LIQUID IS CONVERTED INTO HEAT. LIQUID MAY FLASH TO VAPOR. ROTATING PARTS REQUIRE LIQUID TO PREVENT SCORING OR SEIZING.

#### 8. DISASSEMBLY

- 8.1 Complete disassembly of the unit will be described. Proceed only as far as required to perform the maintenance work required.
  - 8.1.1 Turn off power.
  - 8.1.2 Drain system and flush if necessary.
  - 8.1.3 Remove motor hold-down bolts.
- 8.2 Disassembly of liquid end:
  - 8.2.1 Remove casing screws (3).
  - 8.2.2 Remove back pull-out assembly from casing.
  - 8.2.3 Remove nozzle/venturi assembly (6) and o-rings (5, 7).
  - 8.2.4 Remove guidevane (8).

**CAUTION** DO NOT INSERT SCREWDRIVER BETWEEN THE FAN BLADES TO PREVENT ROTATION.

- 8.2.5 Remove impeller (9) by rotating in a counter-clockwise direction.

**NOTE:** For single and three phase motors, remove the motor end cover and hold the flats on the shaft with a wrench to stop rotation.

**NOTE:** Further disassembly will require removal of the mechanical seal. It is recommended that a new mechanical seal be installed at reassembly.

- 8.2.6 Lubricate the shaft and mechanical seal with soapy water.
- 8.2.7 Remove rotary portion of the mechanical seal (10).
- 8.2.8 Remove motor adapter screws (15) and motor adapter (13) from motor.
- 8.2.9 Remove stationary portion of mechanical seal (11) from motor adapter (13).

## **9. REASSEMBLY**

- 9.1 Clean all parts before reassembly.
- 9.2 Recommend replacement of o-rings (5, 7, 12) and mechanical seal (10, 11) if removed during disassembly procedure.
- 9.3 Inspect and replace nozzle/venturi assembly (6) if any surface deterioration is noticed in the nozzle area.
- 9.4 Reassembly is the reverse of disassembly. Observe the following when reassembling the pump.
- 9.5 Lubricate o-rings and mechanical seal with soapy water to ease assembly.
- 9.6 Tighten casing screws (3) to 10 ft.-lb. of torque using a star pattern to prevent o-ring binding.

## **TROUBLESHOOTING**

### **SYMPTOM**

---

#### **MOTOR NOT RUNNING**

See Probable Causes 1 thru 6

#### **LITTLE OR NO LIQUID DELIVERED**

See Probable Causes 7 thru 17

#### **POWER CONSUMPTION TOO HIGH**

See Probable Causes 4, 17, 18, 19, 22

#### **EXCESSIVE NOISE AND VIBRATION**

See Probable Causes 4, 6, 9, 13, 15, 16, 18, 20, 21, 22

### **PROBABLE CAUSES**

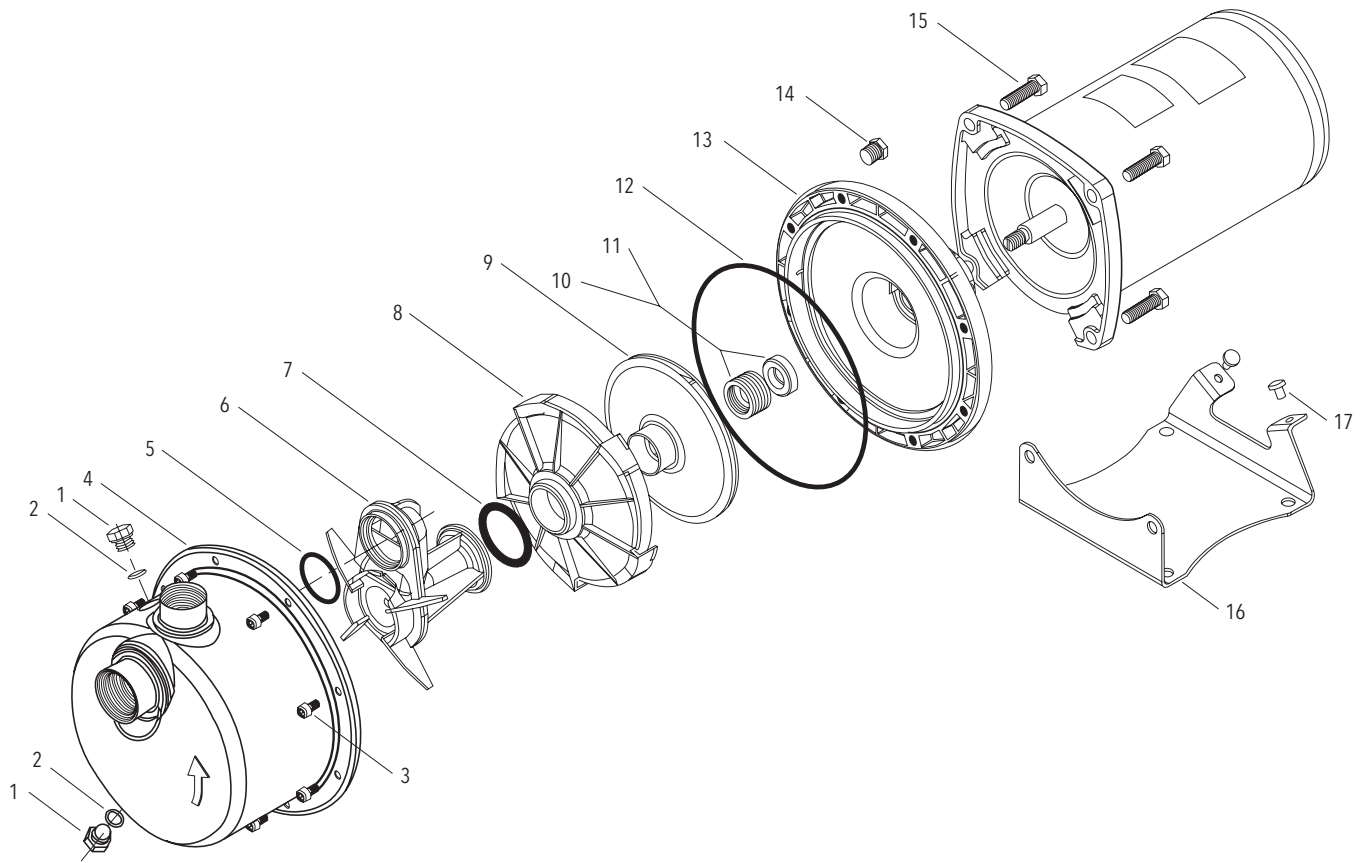
---

1. Tripped thermal protector
2. Open circuit breaker
3. Blown fuse
4. Rotating parts binding
5. Motor wired improperly
6. Defective motor
7. Not primed
8. Discharge plugged or valve closed
9. Incorrect rotation
10. Foot valve too small, suction not submerged, inlet screen plugged
11. Low voltage
12. Phase loss (3-phase only)
13. Air or gasses in liquid
14. System head too high
15. NPSHA too low:  
Suction lift too high or suction losses excessive  
Check with vacuum gauge
16. Impeller worn or plugged
17. Incorrect impeller diameter
18. Head too low, causing excessive flow rate
19. Viscosity or specific gravity too high
20. Worn bearings
21. Pump or piping loose
22. Pump and motor misaligned

# LB COMPONENTS PARTS TABLE

Item No.	Part Description	Material	
1	Plug	304 SS	
2	O-ring - plug	EPR	
3	Socket - head screw	304 SS	
4	Casing with plug	304 SS	
5	O-ring - suction	EPR	
6	Nozzle/venturi assembly	Lexan® 500	
7	O-ring - guide vane	EPR	
8	Guide vane	Lexan® 10% G.F.	
9	Impeller	LB05 4.50" DIA.	Noryl® GFN2
		LB07 5.00" DIA.	
		LB10 5.25" DIA.	
10	Mechanical seal - Rotary	Carbon	
11	Mechanical seal - stationary	Ceramic	
12	O-ring - casing	EPR	
13	Motor adapter with inserts	Amodel® 45% G.F.	
14	Pipe plug	SAE 1018	
15	Hex cap screw	Steel (zinc plated)	
16	Base	Steel	
17	Grommet	BUNA	

HP	Motor Codes			
	1Ø - ODP	3Ø - ODP	1Ø - TEFC	3Ø - TEFC
½	SFE04853	SFE04873	SFE04821	SFE04876
¾	SFE05853	SFE05873	SFE05821	SFE05876
1	SFE06853	SFE06873	SFE06821	SFE06876



### GOULDS WATER TECHNOLOGY LIMITED WARRANTY

This warranty applies to all water systems pumps manufactured by Goulds Water Technology.

Any part or parts found to be defective within the warranty period shall be replaced at no charge to the dealer during the warranty period. The warranty period shall exist for a period of twelve (12) months from date of installation or eighteen (18) months from date of manufacture, whichever period is shorter.

A dealer who believes that a warranty claim exists must contact the authorized Goulds Water Technology distributor from whom the pump was purchased and furnish complete details regarding the claim. The distributor is authorized to adjust any warranty claims utilizing the Goulds Water Technology Customer Service Department.

**The warranty excludes:**

- (a) Labor, transportation and related costs incurred by the dealer;
- (b) Reinstallation costs of repaired equipment;
- (c) Reinstallation costs of replacement equipment;
- (d) Consequential damages of any kind; and,
- (e) Reimbursement for loss caused by interruption of service.

**For purposes of this warranty, the following terms have these definitions:**

- (1) "Distributor" means any individual, partnership, corporation, association, or other legal relationship that stands between Goulds Water Technology and the dealer in purchases, consignments or contracts for sale of the subject pumps.
- (2) "Dealer" means any individual, partnership, corporation, association, or other legal relationship which engages in the business of selling or leasing pumps to customers.
- (3) "Customer" means any entity who buys or leases the subject pumps from a dealer. The "customer" may mean an individual, partnership, corporation, limited liability company, association or other legal entity which may engage in any type of business.

**THIS WARRANTY EXTENDS TO THE DEALER ONLY.**



Xylem, Inc.  
2881 East Bayard Street Ext., Suite A  
Seneca Falls, NY 13148  
Phone: (800) 453-6777  
Fax: (888) 322-5877  
[www.xylem.com/brands/gouldswatertechnology](http://www.xylem.com/brands/gouldswatertechnology)

Goulds is a registered trademark of Goulds Pumps, Inc. and is used under license.  
© 2012 Xylem Inc. IM064 Revision Number 5 July 2012



# Modelo LB

**INSTRUCCIONES DE INSTALACIÓN, FUNCIONAMIENTO Y MANTENIMIENTO**



TEMA	PÁGINA
Instrucciones de Seguridad .....	10
Notas Importantes.....	10
Instalación.....	10
Tubería de Succión .....	11
Tubería de Descarga .....	11
Rotación.....	11
Operación .....	11
Mantenimiento.....	11
Desmontaje .....	12
Montaje.....	12
Identificación y Resolución de Problemas .....	12
Tabla de Componentes de las bombas LB .....	13
Garantía Limitada .....	14
Declaración de Conformidad.....	21

Información para el propietario

Número de modelo de la bomba: \_\_\_\_\_

Número de serie de la bomba: \_\_\_\_\_

Representante: \_\_\_\_\_

Número telefónico del representante: \_\_\_\_\_

Fecha de compra: \_\_\_\_\_

Fecha de Instalación: \_\_\_\_\_

Lecturas actuales de la puesta en servicio:

1 Ø	3 Ø	L1-2	L2-3	L3-1
Amps: _____	Amps: _____	_____	_____	_____
Voltios: _____	Voltios: _____	_____	_____	_____

## INSTRUCCIONES DE SEGURIDAD

**PARA EVITAR LESIONES PERSONALES GRAVES O FATALES, Y DAÑOS SIGNIFICATIVOS A LA PROPIEDAD, LEA Y SIGA TODAS LAS INSTRUCCIONES DE SEGURIDAD QUE SE ENCUENTRAN EN ESTE MANUAL O EN LA BOMBA.**

**ESTE MANUAL TIENE LA FUNCIÓN DE ASISTIRLO EN LA INSTALACIÓN Y OPERACIÓN DE ESTA UNIDAD Y DEBE CONSERVARSE CON LA BOMBA.**



Éste es un **SÍMBOLO DE ALERTA DE SEGURIDAD**. Cuando vea este símbolo sobre la bomba o en el manual, localice una de las siguientes palabras de señalización y esté alerta ante posibles lesiones personales o daños a la propiedad.



Advierte sobre los peligros que **PROVOCARÁN** lesiones graves, muerte o daños significativos a la propiedad.



Advierte sobre los peligros que **PUEDEN PROVOCAR** lesiones graves, muerte o daños significativos a la propiedad.



Advierte sobre los peligros que **PROVOCARÁN** o **PUEDEN PROVOCAR** lesiones o daños a la propiedad.

**AVISO: INDICA QUE EXISTEN INSTRUCCIONES ESPECIALES MUY IMPORTANTES QUE DEBEN RESPETARSE.**

**EXAMINE COMPLETAMENTE TODAS LAS INSTRUCCIONES Y ADVERTENCIAS ANTES DE REALIZAR CUALQUIER TRABAJO EN ESTA BOMBA. CONSERVE TODAS LAS CALCOMANÍAS.**



Los fluidos peligrosos pueden causar incendios, quemaduras o la muerte.

**ESTA UNIDAD NO SE ENCUENTRA DISEÑADA PARA SER USADA CON LÍQUIDOS O GASES INFLAMABLES. ESTOS FLUIDOS PUEDEN ESTAR PRESENTES EN ÁREAS CONTAMINADAS.**

## DESCRIPCIÓN Y ESPECIFICACIONES

Las bombas de la serie LB son bombas centrífugas de inyección de una sola etapa diseñadas para aplicaciones de servicio de transferencia de líquidos en general y aplicaciones de refuerzo. El extremo del líquido utiliza una carcasa de acero inoxidable 304 estampado, impulsor de Noryl<sup>®</sup>, eyector y aleta guía de Lexan<sup>®</sup>, adaptador del motor de Amodel<sup>®</sup> y anillos en O de EPR. Todos los motores son NEMA 48Y y 56Y con brida cuadrada y una extensión de eje roscada de acero inoxidable 304.

### 1. IMPORTANTE

- 1.1 Inspeccione la unidad en busca de daños. Informe inmediatamente de cualquier daño al transportista o al comerciante.
- 1.2 El suministro eléctrico debe provenir de un ramal de circuito separado con fusibles o interruptores, y el tamaño de los cables y demás factores deben estar en conformidad con los códigos de electricidad locales y

nacionales. Instale un interruptor de desconexión de todos los circuitos cerca de la bomba.



**SIEMPRE DESCONECTE EL SUMINISTRO ELÉCTRICO ANTES DE TRABAJAR SOBRE LA BOMBA O LOS CONTROLES.**

- 1.3 Los motores deben estar cableados para el voltaje apropiado. El diagrama de cableado se encuentra en la placa nominal del motor. El tamaño del cable debe limitar la caída máxima de voltaje en las terminales del motor a un 10% del voltaje indicado en la placa nominal; de lo contrario, se reducirán la vida del motor y el rendimiento de la bomba.
- 1.4 Siempre utilice interruptores, contactores y arranquadores clasificados por potencia en HP.
- 1.5 **Protección del motor**
  - 1.5.1 Motores monofásicos: La protección térmica en los motores monofásicos se encuentra incorporada en algunos modelos (consulte la placa nominal). Si el motor no cuenta con protección térmica incorporada, utilice un contactor con sobrecarga adecuada. Es posible utilizar fusibles.
  - 1.5.2 Motores trifásicos: Suministre protección de tres patas con arrancador magnético y niveles de sobrecarga térmica adecuados.
- 1.6 Límites máximos de operación:  
Temperatura del líquido: 140° F (60° C)  
Presión de funcionamiento: 85 PSI  
Arranques por hora: 20, distribuidos en forma pareja
- 1.7 El mantenimiento y las inspecciones frecuentes prolongarán la vida útil de la unidad. El programa de mantenimiento debe basarse en el tiempo de operación. Consulte la sección 8.

## 2. INSTALACIÓN

- 2.1 Ubique la bomba tan cerca del líquido como sea posible (debajo del nivel del líquido para funcionamiento automático).
- 2.2 Proteja la bomba contra temperaturas de congelamiento e inundaciones.
- 2.3 Deje suficiente espacio para realizar tareas de mantenimiento y para ventilación.
- 2.4 Toda la tubería debe estar soportada en forma independiente de la bomba y se debe "alinearse" naturalmente.



**NUNCA PONGA LA TUBERÍA EN SU LUGAR FORZANDO LAS CONEXIONES DE DESCARGA O SUCCIÓN DE LA BOMBA.**

- 2.5 Evite conexiones innecesarias. Seleccione los tamaños adecuados para reducir a un mínimo las pérdidas por fricción.
- 2.6 Las unidades se pueden instalar en posición horizontal, inclinada o vertical.

**PRECAUCIÓN** NO INSTALAR CON EL MOTOR POR DEBAJO DE LA BOMBA. CUALQUIER PÉRDIDA O CONDENSACIÓN AFECTARÁN AL MOTOR.

2.7 La base de montaje debe ser plana y fuerte para eliminar la tensión de deformación al ajustar los pernos. Use soportes de goma para minimizar el ruido y las vibraciones.

2.8 Ajuste los bulones de sujeción del motor antes de conectar la tubería a la bomba.

### 3. TUBERÍA DE SUCCIÓN

3.1 Se recomienda una tubería de succión corta y directa con carga estática de succión baja. Consulte la curva de desempeño de la bomba para la carga de *succión positiva neta (NPSHR) requerida*.

3.2 La tubería de succión debe ser al menos del tamaño de la conexión de succión de la bomba. Un tamaño menor reducirá el desempeño.

3.3 Si se requiere una tubería más grande, se debe instalar un reductor de caño excéntrico (con el lado recto hacia arriba) en la bomba.

3.4 Instalación con la bomba por debajo de la fuente de suministro:

3.4.1 Instale una válvula de aislamiento total de flujo en la tubería para tareas de inspección y mantenimiento.

**PRECAUCIÓN** NO USE LA VÁLVULA DE AISLAMIENTO DE SUCCIÓN PARA AHOGAR LA BOMBA.

3.5 Instalación con la bomba por encima de la fuente de suministro:

3.5.1 Evite los baches de aire. Ninguna parte de la bomba debe estar más elevada que la conexión de succión de la bomba. Incline la tubería hacia arriba desde la fuente de líquido.

3.5.2 Todas las juntas deben ser herméticas.

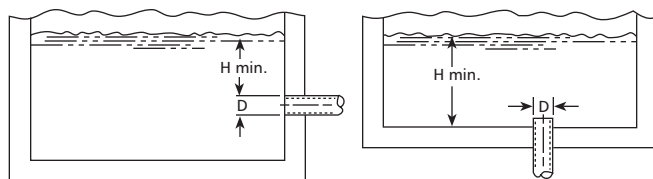


Figura 11

Figura 2

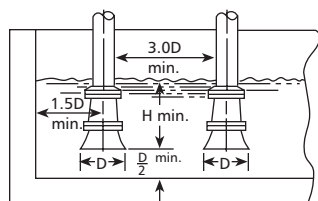


Figura 3

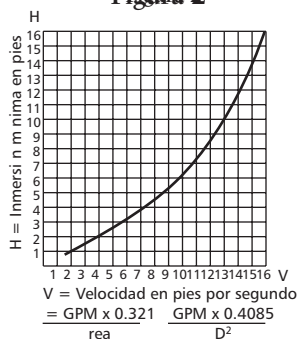


Figura 4

3.5.3 La válvula de pie se debe utilizar únicamente si es necesario para cebar la bomba, mantener el cebado o en casos de servicio intermitente.

3.5.4 El área abierta de la cesta de succión debe ser al menos tres veces más grande que el área de la tubería.

3.6 El tamaño de la entrada desde la fuente de líquido y la sumersión mínima sobre la entrada deben ser suficientes para evitar que ingrese aire a la bomba a causa de arremolinamiento. Observe las figuras 2 a 5.

3.7 Utilice 3 ó 4 vueltas de cinta de teflón para sellar las conexiones roscadas.

### 4. TUBERÍA DE DESCARGA

4.1 Se debe dejar suficiente espacio para desconectar la tubería de descarga cerca de la carcasa para permitir el desmontaje de la bomba.

4.2 La instalación debe incluir una válvula de retención ubicada entre una válvula de compuerta y la bomba. La válvula de compuerta es para regular la capacidad o realizar tareas de inspección de la bomba o de la válvula de retención.

4.3 Si se requiere un aumentador, colóquelo entre la válvula de retención y la bomba.

4.4 Utilice 3 ó 4 vueltas de cinta de teflón para sellar las conexiones roscadas

### 5. ROTACIÓN

5.1 La rotación correcta es hacia la derecha (en el sentido de las agujas del reloj cuando se mira desde el extremo del motor). Encienda y vuelva a apagar el motor rápidamente. Observe la rotación del eje. Para invertir la rotación:

5.1.1 en un motor monofásico: no es reversible.

5.1.2 en un motor trifásico: intercambie dos conductores eléctricos cualesquiera.

### 6. OPERACIÓN

6.1 Antes de arrancar la bomba, se la debe cebar (la bomba no debe contener aire y la tubería de succión debe estar llena de líquido). La válvula de descarga debe estar parcialmente abierta.

6.2 Realice una verificación completa luego de hacer funcionar la unidad bajo las condiciones de operación y una vez que la temperatura se haya estabilizado. Determine si se produce expansión en la tubería.

### 7. MANTENIMIENTO

7.1 Los cojinetes de bola se encuentran en el motor y forman parte de él. Están permanentemente lubricados y no es necesario engrasarlos.



**EL LÍQUIDO BOMBEADO PROVEE LA LUBRICACIÓN. SI LA BOMBA SE HACE FUNCIONAR EN SECO, LAS PARTES ROTATIVAS SE AGARROTARÁN Y SE DAÑARÁ EL SELLO MECÁNICO. NO OPERE LA BOMBA SIN FLUJO O CON MUY POCO FLUJO. LA ENERGÍA QUE SE IMPARTE AL LÍQUIDO SE CONVIERTE EN CALOR. EL LÍQUIDO PUEDE CONVERTIRSE EN VAPOR. LAS PARTES ROTATIVAS REQUIEREN DE LÍQUIDO PARA EVITAR LA ESTRIACIÓN O EL AGARROTAMIENTO.**

## 8. DESMONTAJE

- 8.1 A continuación se describe el desmontaje completo de la unidad. Prosiga sólo hasta donde sea necesario para efectuar las tareas de mantenimiento requeridas.
- 8.1.1 Desconecte el suministro eléctrico.
- 8.1.2 Desagote el sistema y limpie con una descarga de agua si fuera necesario.
- 8.1.3 Retire los bulones de sujeción del motor.
- 8.2 Desmontaje del extremo del líquido:
- 8.2.1 Retire los tornillos de la carcasa (3).
- 8.2.2 Retire el conjunto posterior retractable de la carcasa.
- 8.2.3 Retire el conjunto de tobera/venturi (6) y los anillos en O (5,7).
- 8.2.4 Retire la aleta guía (8).



**NO INSERTE UN DESTORNILLADOR ENTRE LAS HOJAS DEL VENTILADOR PARA EVITAR LA ROTACIÓN.**

- 8.2.5 Retire el impulsor (9) girando en el sentido contrario a las agujas del reloj.
- NOTA:** En los motores monofásicos y trifásicos, retire la cubierta del extremo del motor y sostenga las partes planas sobre el eje con una llave para impedir la rotación.
- NOTA:** A partir de aquí, el desmontaje adicional requiere que se retire el sello mecánico. Se recomienda instalar un sello mecánico nuevo al volver a armar la bomba.
- 8.2.6 Lubrique el eje y el sello mecánico con agua jabonosa.
- 8.2.7 Retire la porción rotativa del sello mecánico (10).
- 8.2.8 Retire los tornillos del adaptador del motor (15) y separe el adaptador del motor (13) del motor.
- 8.2.9 Retire la porción estacionaria del sello mecánico (11) del adaptador del motor (13).

## 9. REENSAMBLAJE

- 9.1 Limpie todas las partes antes de volver a armar la bomba.
- 9.2 Se recomienda el reemplazo de los anillos en O (5, 7, 12) y el sello mecánico (10, 11) si es que se han retirado durante el procedimiento de desmontaje.
- 9.3 Inspeccione el conjunto de tobera/venturi (6) y reemplácelo si advierte algún deterioro de la superficie en la zona de la tobera.

- 9.4 El proceso de reensamble es inverso al de desmontaje. Al volver a armar la bomba, preste atención a lo siguiente.
- 9.5 Lubrique los anillos en O y el sello mecánico con agua jabonosa para facilitar el montaje.
- 9.6 Ajuste los tornillos de la carcasa (3) a un par de 10 pies/libra siguiendo un trazado en estrella para evitar que los anillos en O se acuñen.

## 10. IDENTIFICACIÓN Y RESOLUCIÓN DE PROBLEMAS

### SÍNTOMA

#### EL MOTOR NO FUNCIONA

Consulte las causas N° 1 a 6 en la lista de causas probables

#### SE ENTREGA POCO O NADA DE LÍQUIDO

Consulte las causas N° 7 a 17 en la lista de causas probables

#### CONSUMO EXCESIVO DE ELECTRICIDAD

Consulte las causas N° 4, 17, 18, 19 y 22 en la lista de causas probables

#### RUIDO O VIBRACIÓN EXCESIVOS

Consulte las causas N° 4, 6, 9, 13, 15, 16, 18, 20, 21 y 22 en la lista de causas probables

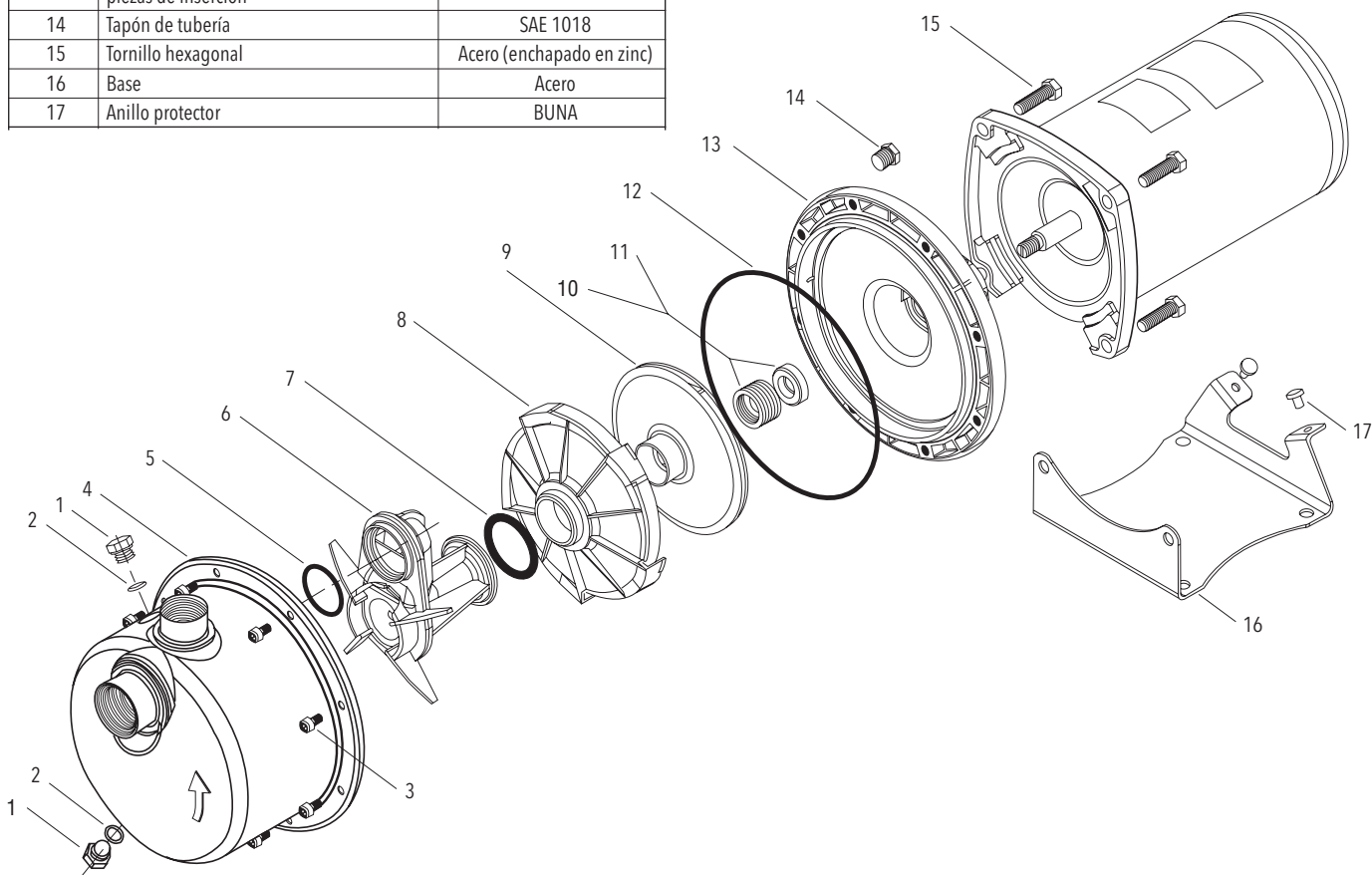
### CAUSAS PROBABLES

1. Se disparó el protector térmico
2. Interruptor de circuito abierto
3. Fusible quemado
4. Acuñamiento de las partes rotativas
5. Cableado incorrecto del motor
6. Motor defectuoso
7. La bomba no está cebada
8. Descarga bloqueada o válvula cerrada
9. Rotación incorrecta (motor trifásico solamente)
10. Válvula de pie muy pequeña, succión no sumergida, pantalla de admisión obstruida
11. Baja tensión
12. Pérdida de fase (motores trifásicos solamente)
13. Aire o gases en el líquido
14. Carga del sistema muy alta
15. NPSHA muy baja:  
Elevación de succión muy alta o pérdidas excesivas de succión. Verifique con un vacuómetro
16. Impulsor gastado o taponado
17. Impulsor de diámetro incorrecto
18. Carga de descarga muy baja, causa velocidad excesiva del flujo
19. Viscosidad o gravedad específica muy altas
20. Cojinetes gastados
21. Bomba o tubería flojas
22. Mala alineación entre la bomba y el motor

## TABLA DE COMPONENTES DE LAS BOMBAS LB

Ítem No.	Descripción	Materiales	
1	Tapón	Acero inox. 304	
2	Anillo en O - tapón	EPR	
3	Tornillo de cabeza hueca	Acero inox. 304	
4	Carcasa con tapón	Acero inox. 304	
5	Anillo en O - succión	EPR	
6	Conjunto tobera/venturi	Lexan® 500	
7	Anillo en O - aleta guía	EPR	
8	Aleta guía	Lexan® 10% G.F.	
9	Impulsor	LB05 4.50" DIA.	Noryl® GFN2
		LB07 5.00" DIA.	
		LB10 5.25" DIA.	
10	Sello mecánico - parte rotativa	Carbono	
11	Sello mecánico - parte estacionaria	Cerámica	
12	Anillo en O - carcasa	EPR	
13	Adaptador del motor con piezas de inserción	Amodel® 45% G.F.	
14	Tapón de tubería	SAE 1018	
15	Tornillo hexagonal	Acero (enchapado en zinc)	
16	Base	Acero	
17	Anillo protector	BUNA	

HP	Códigos de motor			
	1Ø - ODP	3Ø - ODP	1Ø - TEFC	3Ø - TEFC
½	SFE04853	SFE04873	SFE04821	SFE04876
¾	SFE05853	SFE05873	SFE05821	SFE05876
1	SFE06853	SFE06873	SFE06821	SFE06876



## GARANTÍA LIMITADA DE GOULDS WATER TECHNOLOGY

Esta garantía es aplicable a todas las bombas para sistemas de agua fabricadas por Goulds Water Technology.

Toda parte o partes que resulten defectuosas dentro del período de garantía serán reemplazadas sin cargo para el comerciante durante dicho período de garantía. Tal período de garantía se extiende por doce (12) meses a partir de la fecha de instalación, o dieciocho (18) meses a partir de la fecha de fabricación, cualquiera se cumpla primero.

Todo comerciante que considere que existe lugar a un reclamo de garantía deberá ponerse en contacto con el distribuidor autorizado de Goulds Water Technology del cual adquiriera la bomba, y ofrecer información detallada con respecto al reclamo. El distribuidor está autorizado a liquidar todos los reclamos por garantía a través del Departamento de Servicios a Clientes de Goulds Water Technology.

### La presente garantía excluye:

- (a) La mano de obra, el transporte y los costos relacionados en los que incurra el comerciante;
- (b) los costos de reinstalación del equipo reparado;
- (c) los costos de reinstalación del equipo reemplazado;
- (d) daños emergentes de cualquier naturaleza; y
- (e) el reembolso de cualquier pérdida causada por la interrupción del servicio.

### A los fines de esta garantía, los términos “Distribuidor”, “Comerciante” y “Cliente” se definen como sigue:

- (1) “Distribuidor” es aquel individuo, sociedad, corporación, asociación u otra entidad jurídica que opera entre Goulds Water Technology y el comerciante para la compra, consignación o contratos de venta de las bombas en cuestión.
- (2) “Comerciante” es todo individuo, sociedad, corporación, asociación u otra entidad jurídica que realiza negocios de venta o alquiler-venta (leasing) de bombas a clientes.
- (3) “Cliente” es toda entidad que compra o que adquiere bajo la modalidad de leasing las bombas en cuestión de un comerciante. El término “cliente” puede significar un individuo, una sociedad, una corporación, una sociedad de responsabilidad limitada, una asociación o cualquier otra entidad jurídica con actividades en cualquier tipo de negocios.

**LA PRESENTE GARANTÍA SE EXTIENDE AL COMERCIANTE ÚNICAMENTE**



Xylem, Inc.  
2881 East Bayard Street Ext., Suite A  
Seneca Falls, NY 13148  
Teléfono: (800) 453-6777  
Fax: (888) 322-5877  
[www.xylem.com/brands/gouldswatertechnology](http://www.xylem.com/brands/gouldswatertechnology)

Goulds es una marca registrada de Goulds Pumps, Inc. y se utiliza bajo licencia.  
© 2012 Xylem Inc. IM064 Revisión Número 5 Julio 2012



# Modèle LB

**DIRECTIVES D'INSTALLATION, D'UTILISATION ET D'ENTRETIEN**



SUJET	PAGE
Consignes de Sécurité.....	17
Informations Importantes.....	17
Installation .....	17
Tuyauterie D'aspiration.....	18
Tuyauterie de Refoulement.....	18
Rotation .....	18
Utilisation.....	18
Entretien .....	18
Démontage.....	19
Remontage .....	19
Diagnostic des Anomalies .....	19
Table de Composants du Modèle LB .....	20
Déclaration de Conformité.....	21
Garantie Limitée.....	24

**Informations pour le propriétaire**

Numéro de modèle de la pompe : \_\_\_\_\_

Numéro de série de la pompe : \_\_\_\_\_

Détaillant : \_\_\_\_\_

N° de téléphone du détaillant : \_\_\_\_\_

Date d'achat : \_\_\_\_\_

Date d'installation : \_\_\_\_\_

Courant mesuré au démarrage :

1 Ø	3 Ø	L1-2	L2-3	L3-1
A: _____	A: _____	_____	_____	_____
V: _____	V: _____	_____	_____	_____



## CONSIGNES DE SÉCURITÉ

**AFIN DE PRÉVENIR LES BLESSURES GRAVES OU MORTELLES ET LES DOMMAGES MATÉRIELS IMPORTANTS, LIRE ET SUIVRE TOUTES LES CONSIGNES DE SÉCURITÉ FIGURANT DANS LE MANUEL ET SUR LA POMPE.**

**LE PRÉSENT MANUEL A POUR BUT DE FACILITER L'INSTALLATION ET L'UTILISATION DE LA POMPE ET DOIT RESTER PRÈS DE CELLE-CI.**



Le symbole ci-contre est un SYMBOLE DE SÉCURITÉ employé pour signaler les mots-indicateurs dont on trouvera la description ci-dessous. Sa présence sert à attirer l'attention afin d'éviter les blessures et les dommages matériels.



**DANGER** Prévient des risques qui VONT causer des blessures graves, la mort ou des dommages matériels importants.



**AVERTISSEMENT** Prévient des risques qui PEUVENT causer des blessures graves, la mort ou des dommages matériels importants.



**ATTENTION** Prévient des risques qui PEUVENT causer des blessures ou des dommages matériels.

**AVIS : SERT À ÉNONCER LES DIRECTIVES SPÉCIALES DE GRANDE IMPORTANCE QUE L'ON DOIT SUIVRE.**

**LIRE SOIGNEUSEMENT CHAQUE DIRECTIVE ET AVERTISSEMENT AVANT D'EFFECTUER TOUT TRAVAIL SUR LA POMPE.**

**N'ENLEVER AUCUN AUTOCOLLANT DE SÉCURITÉ.**



Les fluides dangereux peuvent causer un incendie, des brûlures ou la mort.

**APPAREIL NON CONÇU POUR LES LIQUIDES DANGEREUX NI POUR LES GAZ INFLAMMABLES. CES FLUIDES POURRAIENT ÊTRE PRÉSENTS DANS LES INSTALLATIONS DE CONFINEMENT (PUITS COLLECTEURS).**

## DESCRIPTION et CARACTÉRISTIQUES

Le modèle LB est une pompe centrifuge à éjecteur (jet), à un étage, servant au transfert de liquides de nature générale et à l'augmentation de pression. La tête de pompage est constituée d'un corps de pompe en inox 304 estampé, d'une roue (impulseur) en Noryl<sup>MD</sup>, d'un éjecteur et d'un diffuseur (aubes directrices) en Lexan<sup>MD</sup>, d'un adaptateur de moteur en Amodel<sup>MD</sup> et de joints toriques en EPR. Tous les moteurs sont du type NEMA 48Y et 56Y à bride de fixation carrée et à rallonge d'arbre en inox 304 fileté.

### 1. INFORMATIONS IMPORTANTES

- 1.1. Inspecter l'appareil et signaler immédiatement tout dommage au transporteur ou au détaillant.
- 1.2. L'alimentation en électricité doit être assurée par un circuit de dérivation distinct dont les fusibles ou les disjoncteurs, le calibre des fils, etc. sont conformes aux prescriptions du code provincial ou national de l'électricité. Poser un sectionneur tout conducteur près de la pompe.



**ON DOIT TOUJOURS COUPER LE COURANT LORSQUE L'ON EFFECTUE QUELQUE TRAVAIL QUE CE SOIT SUR LA POMPE OU LES COMMANDES.**

- 1.3. Le câblage d'alimentation du moteur doit convenir à la tension de fonctionnement. Le schéma de câblage se trouve sur la plaque signalétique du moteur. Les fils doivent avoir un calibre limitant la chute de tension maximale, aux bornes du moteur, à 10 % de la valeur de tension indiquée sur la plaque signalétique, sinon la durée de vie du moteur et les performances de la pompe diminueront.
- 1.4. Il faut toujours employer des contacteurs et des démarreurs de puissance nominale en horse-power (hp).
- 1.5. Protection du moteur
  - 1.5.1. Moteurs monophasés – Ces moteurs sont parfois munis d'une protection thermique intégrée (indiquée sur la plaque signalétique). Dans le cas contraire, utiliser un contacteur à protection appropriée contre les surcharges. Les dispositifs fusibles sont permis.
  - 1.5.2. Moteurs triphasés – Employer une protection trois conducteurs appropriée contre les surcharges thermiques ainsi qu'un démarreur magnétique convenant à la charge électrique.

### 1.6. Limites d'utilisation maximales

Température du liquide : 60 °C (140 °F)

Pression : 85 lb/po<sup>2</sup>

Démarrages par heure : 20, répartis uniformément

- 1.7. Une inspection et un entretien réguliers augmenteront la durée de vie de l'appareil. Établir un programme d'entretien et d'inspection basé sur le temps de fonctionnement. Voir la section 8.

## 2. INSTALLATION

- 2.1. Placer la pompe aussi près de la source de liquide que possible (au-dessous du niveau du liquide pour qu'elle fonctionne automatiquement).
- 2.2. Protéger l'appareil contre les inondations et le gel.
- 2.3. Laisser assez d'espace pour l'entretien et l'aération.
- 2.4. La tuyauterie doit posséder ses propres supports et « s'aligner » correctement (sans contraintes) sur la pompe.



**LA TUYAUTERIE DOIT ÊTRE POSÉE DE FAÇON À NE JAMAIS APPLIQUER DE CONTRAINTE SUR LES RACCORDS D'ASPIRATION ET DE REFOULEMENT DE LA POMPE.**

- 2.5. Ne poser aucun accessoire ni raccord de tuyauterie superflu. Choisir le calibre approprié pour réduire les pertes de charge au minimum.
- 2.6. Les pompes peuvent être installées à l'horizontale, à la verticale ou sur une surface inclinée.



**NE PAS PLACER LE MOTEUR PLUS BAS QUE LA POMPE AFIN DE LE PROTÉGER CONTRE LES FUITES ET L'EAU DE CONDENSATION.**

- 2.7. L'assise doit être plane et solide pour empêcher que le serrage des boulons ne cause de contraintes. Monter l'appareil sur caoutchouc pour réduire le bruit et les vibrations au minimum.
- 2.8. Serrer les boulons de fixation du moteur avant de raccorder la tuyauterie à la pompe.

### 3. TUYAUTERIE D'ASPIRATION

- 3.1. Une hauteur géométrique d'aspiration réduite et une tuyauterie directe et courte sont souhaitables. Consulter la courbe de performances de la pompe pour obtenir la *hauteur nette d'aspiration requise (NPSHR)*.
- 3.2. Le calibre du tuyau d'aspiration doit être au moins égal à celui du raccord d'aspiration de la pompe pour éviter une perte de performances.
- 3.3. S'il faut un tuyau plus gros, on doit installer un raccord réducteur excentré (la partie droite en haut) près de la pompe.
- 3.4. Pompe placée plus bas que la source de liquide :
- 3.4.1. Poser un robinet d'isolement à passage intégral sur le tuyau d'aspiration pour l'inspection et l'entretien.

**ATTENTION** NE PAS EMPLOYER LE ROBINET D'ISOLEMENT POUR RÉDUIRE LA SECTION DE PASSAGE VERS LA POMPE.

- 3.5. Pompe placée plus haut que la source de liquide :
- 3.5.1. Afin de prévenir les poches d'air, aucun élément de la tuyauterie d'aspiration ne devrait être plus haut que le raccord d'aspiration de la pompe. Incliner la tuyauterie vers le haut à partir de la source de liquide.
- 3.5.2. Chaque joint doit être étanche.
- 3.5.3. On n'emploiera un clapet de pied que s'il est requis pour amorcer la pompe ou la maintenir amorcée pendant les arrêts.
- 3.5.4. La section de passage de la crépine du tuyau d'aspiration doit être au moins le triple de celle du tuyau.

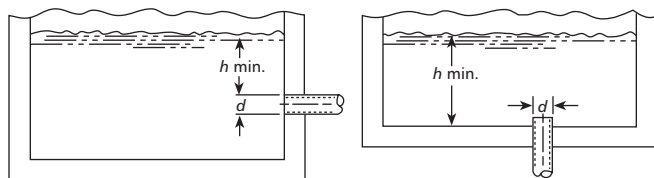


Figure 1

Figure 2

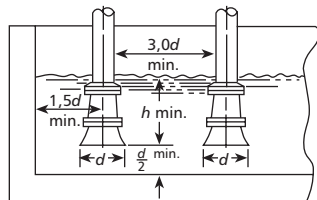


Figure 3

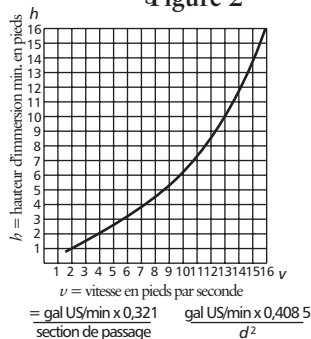


Figure 4

- 3.6. Le diamètre ( $d$ ) et la hauteur d'immersion ( $h$ ) de l'orifice d'entrée du tuyau d'aspiration doivent être suffisants pour empêcher l'aspiration d'air par vortex (V. fig. 1 à 4).
- 3.7. Enrouler les raccords filetés de 3 ou 4 couches de ruban de téflon pour les étancher.

### 4. TUYAUTERIE DE REFOULEMENT

- 4.1. On doit prévoir assez d'espace près du corps de pompe pour pouvoir déconnecter le tuyau de refoulement et démonter la pompe.
- 4.2. L'installation doit comporter un robinet-vanne, ainsi qu'un clapet de non-retour placé entre le robinet-vanne et la pompe. Le robinet-vanne sert à la régulation du débit et à l'inspection de la pompe et du clapet de non-retour.
- 4.3. Lorsqu'un raccord agrandisseur est nécessaire, le poser entre le clapet de non-retour et la pompe.
- 4.4. Enrouler les raccords filetés de 3 ou 4 couches de ruban de téflon pour les étancher.

### 5. ROTATION

- 5.1. La rotation appropriée est en sens horaire (vers la droite, vue de l'extrémité du moteur). Couper et rétablir le courant rapidement pour observer le sens de rotation de l'arbre. Changer le sens de rotation comme suit.
- 5.1.1. Moteur monophasé : sans objet (irréversible).
- 5.1.2. Moteur triphasé : intervertir deux des trois conducteurs du moteur.

### 6. UTILISATION

- 6.1. Avant la mise en service, on doit amorcer la pompe (pour en faire sortir l'air), remplir de liquide le tuyau d'aspiration et entrouvrir le robinet de refoulement.
- 6.2. Faire fonctionner l'appareil dans des conditions normales jusqu'à ce que sa température se soit stabilisée, puis vérifier tout le système. Vérifier également si la tuyauterie s'est dilatée.

### 7. ENTRETIEN

- 7.1. Les roulements à billes sont situés à l'intérieur du moteur et sont lubrifiés à vie. Aucun graissage n'est requis.

**ATTENTION** LES LIQUIDES POMPÉS SERVENT DE LUBRIFIANT. SI LA POMPE TOURNAIT À SEC, LES PIÈCES MOBILES GRIPPERAIENT, ET LA GARNITURE (JOINT) MÉCANIQUE S'ENDOMMAGERAIT. IL NE FAUT DONC PAS FAIRE MARCHER LA POMPE LORSQUE LE DÉBIT EST NUL OU PRESQUE, CAR CETTE PETITE QUANTITÉ D'EAU ABSORBERAIT LA CHALEUR PRODUITE PAR FROTTEMENT ET POURRAIT SE CHANGER RAPIDEMENT EN VAPEUR. LES PIÈCES TOURNANTES DOIVENT ÊTRE LUBRIFIÉES PAR LE LIQUIDE POUR NE PAS SUBIR DE DOMMAGES NI SE GRIPPER.

## 8. DÉMONTAGE

- 8.1. Le démontage complet de la pompe est décrit ci-dessous. Ne démonter que ce qui est approprié à l'entretien nécessaire.
  - 8.1.1. Couper le courant.
  - 8.1.2. Vidanger le système. Le rincer au besoin.
  - 8.1.3. Enlever les boulons de fixation du moteur.
- 8.2. Démontage de la tête de pompe :
  - 8.2.1. Enlever les vis (3) du corps de pompe.
  - 8.2.2. Écarter du corps de pompe l'ensemble d'entraînement de la roue.
  - 8.2.3. Enlever l'ensemble tuyère-venturi (6) et les joints toriques (5, 7).
  - 8.2.4. Déposer le diffuseur (8).

**ATTENTION** NE PAS INSÉRER DE TOURNEVIS ENTRE LES PALES DU VENTILATEUR POUR EMPÊCHER L'ARBRE DE TOURNER.

- 8.2.5. Dévisser (sens antihoraire) et enlever la roue (9).

NOTA : Dans le cas des moteurs monophasés et triphasés, retirer le couvercle de l'extrémité du moteur et bloquer les méplats de l'arbre avec une clé pour immobiliser celui-ci.

NOTA : Tout démontage plus poussé nécessitera la dépose de la garniture mécanique. En pareil cas, il est recommandé de la remplacer par une neuve.
- 8.2.6. Lubrifier l'arbre et la garniture mécanique avec de l'eau savonneuse.
- 8.2.7. Enlever l'élément mobile (10) de la garniture mécanique.
- 8.2.8. Déposer les vis (15) de l'adaptateur de moteur (13), puis l'adaptateur.
- 8.2.9. Retirer de l'adaptateur de moteur l'élément fixe (11) de la garniture mécanique.

## 9. REMONTAGE

- 9.1. Nettoyer chaque pièce avant le remontage.
- 9.2. Il est recommandé de remplacer les joints toriques (5, 7, 12) et les éléments (10, 11) de la garniture mécanique enlevés au cours du démontage.
- 9.3. Inspecter et remplacer l'ensemble tuyère-venturi (6) si la surface de la tuyère est détériorée.
- 9.4. Le remontage se fait dans l'ordre inverse du démontage. Observer les directives ci-dessous pendant le remontage de la pompe.
- 9.5. Lubrifier les joints toriques et la garniture mécanique avec de l'eau savonneuse pour faciliter le remontage.
- 9.6. Serrer les vis (3) du corps de pompe uniformément (en étoile) à 10 lbf•pi pour ne pas endommager le joint torique.

## 10. DIAGNOSTIC DES ANOMALIES

### ANOMALIE

---

#### NON-FONCTIONNEMENT DU MOTEUR

(V. causes probables 1 à 6)

#### DÉBIT DE LIQUIDE FAIBLE OU NUL

(V. causes probables 7 à 17)

#### CONSOMMATION D'ÉNERGIE EXCESSIVE

(V. causes probables 4, 17, 18, 19 et 22)

#### VIBRATION ET BRUIT EXCESSIFS

(V. causes probables 4, 6, 9, 13, 15, 16, 18, 20, 21 et 22)

### CAUSES PROBABLES

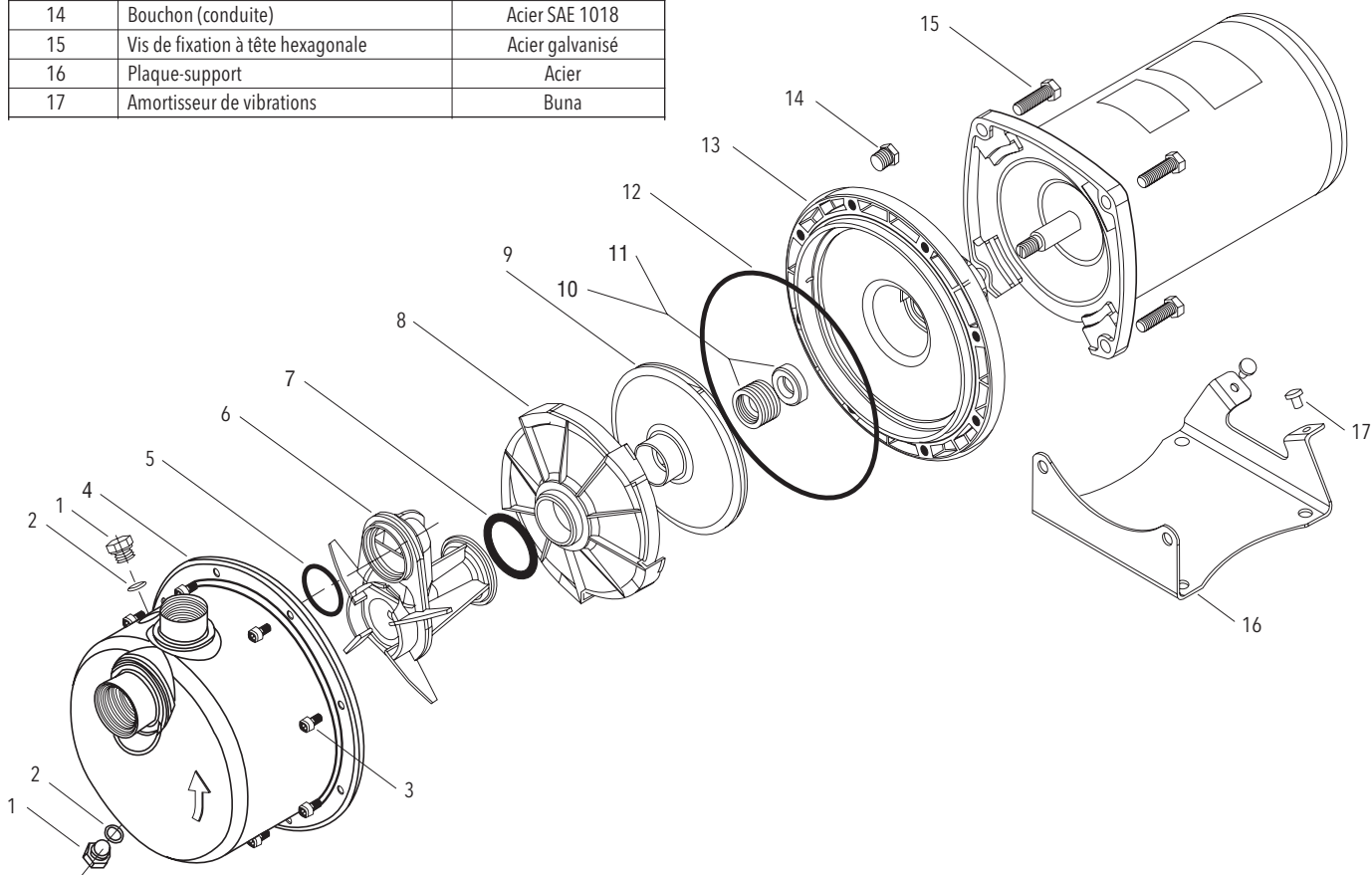
---

1. Protecteur thermique déclenché
2. Disjoncteur ouvert
3. Fusible sauté
4. Pièces tournantes grippées
5. Moteur mal connecté
6. Moteur défectueux
7. Pompe non amorcée
8. Tuyau de refoulement obstrué ou robinet fermé
9. Mauvais sens de rotation
10. Clapet de pied trop petit, entrée de tuyau d'aspiration non submergée, crépine de tuyau d'aspiration obstruée
11. Basse tension électrique
12. Perte de phase (moteurs triphasés seulement)
13. Présence d'air ou de gaz dans le liquide
14. Hauteur de charge trop élevée du système
15. Hauteur nette d'aspiration disponible (NPSHA) trop faible : hauteur ou perte d'aspiration excessives – vérifier avec un vacuomètre
16. Roue usée ou engorgée
17. Diamètre de roue inapproprié
18. Hauteur de charge trop faible – débit excessif
19. Viscosité ou densité trop élevée
20. Roulements usés
21. Pompe ou tuyauterie mal assujetties
22. Pompe et moteur désalignés

## TABLE DE COMPOSANTS DU MODÈLE LB

N° d'article	Description	Matériaux	
1	Bouchons	Inox 304	
2	Joints toriques (bouchons)	EPR	
3	Vis à tête creuse	Inox 304	
4	Corps de pompe	Inox 304	
5	Joint torique (aspiration)	EPR	
6	Ensemble tuyère-venturi	Lexan <sup>MD</sup> 500	
7	Joint torique (diffuseur)	EPR	
8	Diffuseur	Lexan <sup>MD</sup> chargé à 10 % de fibre de verre	
9	Roue	LB05 diam. : 4,50 po	Noryl <sup>MD</sup> GFN2
		LB07 diam. : 5,00 po	
		LB10 diam. : 5,25 po	
10	Élément mobile (garniture mécanique)	Carbone	
11	Élément fixe (garniture mécanique)	Céramique	
12	Joint torique (corps de pompe)	EPR	
13	Adaptateur de moteur et pièces rapportées	Amodel <sup>MD</sup> chargé à 45 % de fibre de verre	
14	Bouchon (conduite)	Acier SAE 1018	
15	Vis de fixation à tête hexagonale	Acier galvanisé	
16	Plaque-support	Acier	
17	Amortisseur de vibrations	Buna	

hp	Codes de moteur			
	1Ø - ODP	3Ø - ODP	1Ø - TEFC	3Ø - TEFC
1/2	SFE04853	SFE04873	SFE04821	SFE04876
3/4	SFE05853	SFE05873	SFE05821	SFE05876
1	SFE06853	SFE06873	SFE06821	SFE06876



## **Declaration of Conformity**

---

We at,  
Goulds Water Technology/Xylem Inc.  
1 Goulds Drive  
Auburn, NY 13021

Declare that the following products: NPE, MCS, MCC, 3656, 3656 SP, GB, e-SV, SVI, NPO, Prime Line SP, HB, HMS, LC, NPV, LB, LBS comply with Machine Directive 06/42/EC. This equipment is intended to be incorporated with machinery covered by this directive, but must not be put into service until the machinery into which it is to be incorporated has been declared in conformity with the actual provisions of the directive.

## **Declaración de Conformidad**

---

Nosotros en  
Goulds Water Technology/Xylem Inc.  
1 Goulds Drive  
Auburn, NY 13021

Declaramos que los siguientes productos: NPE, MCS, MCC, 3656, 3656 SP, GB, e-SV, SVI, NPO, Prime Line SP, HB, HMS, LC, NPV, LB, LBS cumplen con las Directivas para Maquinarias 06/42/EC. Este equipo ha sido diseñado para ser incorporado a la maquinaria cubierta por esta directiva pero no debe ponerse en funcionamiento hasta que se declare que la maquinaria en la que será incorporado cumple con las disposiciones reales de la directiva.

## **Déclaration de Conformité**

---

Nous, à  
Goulds Water Technology/Xylem Inc.  
1 Goulds Drive  
Auburn, NY, U.S.A. 13021,

déclarons que les produits NPE, MCS, MCC, 3656, 3656 SP, GB, e-SV, SVI, NPO, Prime Line SP, HB, HMS, LC, NPV, LB et LBS sont conformes à la directive 06/42/EC (législation relative aux machines). Ils sont destinés à être intégrés dans la machinerie faisant l'objet de ladite directive, mais ne doivent pas être mis en service tant que la machinerie en question ne sera pas déclarée conforme aux stipulations de la directive.





### GARANTIE LIMITÉE DE GOULDS WATER TECHNOLOGY

La présente garantie s'applique à chaque pompe de système d'alimentation en eau fabriquée par Goulds Water Technology.

Toute pièce se révélant défectueuse durant la période de garantie sera remplacée sans frais pour le détaillant durant ladite période, qui dure douze (12) mois à compter de la date d'installation ou dix-huit (18) mois à partir de la date de fabrication, soit la période qui expirera la première.

Le détaillant qui, aux termes de cette garantie, désire effectuer une demande de règlement doit s'adresser au distributeur Goulds Water Technology agréé chez lequel la pompe a été achetée et fournir tous les détails à l'appui de sa demande. Le distributeur est autorisé à régler toute demande par le biais du service à la clientèle de Goulds Water Technology.

**La garantie ne couvre pas :**

- a) les frais de main-d'oeuvre ou de transport ni les frais connexes encourus par le détaillant ;
- b) les frais de réinstallation de l'équipement réparé ;
- c) les frais de réinstallation de l'équipement de remplacement ;
- d) les dommages indirects de quelque nature que ce soit ;
- e) ni les pertes découlant de la panne.

**Aux fins de la présente garantie, les termes ci-dessous sont définis comme suit :**

- 1) "Distributeur" signifie une personne, une société de personnes, une société de capitaux, une association ou autre entité juridique servant d'intermédiaire entre Goulds Water Technology et le détaillant pour les achats, les consignations ou les contrats de vente des pompes en question.
- 2) "Détaillant" veut dire une personne, une société de personnes, une société de capitaux, une association ou autre entité juridique dont les activités commerciales sont la vente ou la location de pompes à des clients.
- 3) "Client" signifie une entité qui achète ou loue les pompes en question chez un détaillant. Un "client" peut être une personne, une société de personnes, une société de capitaux, une société à responsabilité limitée, une association ou autre entité juridique se livrant à quelque activité que ce soit.

**CETTE GARANTIE SE RAPPORTE AU DÉTAILLANT SEULEMENT.**



Xylem, Inc.  
2881 East Bayard Street Ext., Suite A  
Seneca Falls, NY 13148  
Téléphone: (800) 453-6777  
Télécopie: (888) 322-5877  
[www.xylem.com/brands/gouldswatertechnology](http://www.xylem.com/brands/gouldswatertechnology)

Goulds est une marque déposée de Goulds Pumps, Inc. et est utilisé sous le permis.  
© 2012, Xylem Inc. IM064 Révision numéro 5 Juillet 2012