



**Wiring
Instructions**



Supply Cabinet

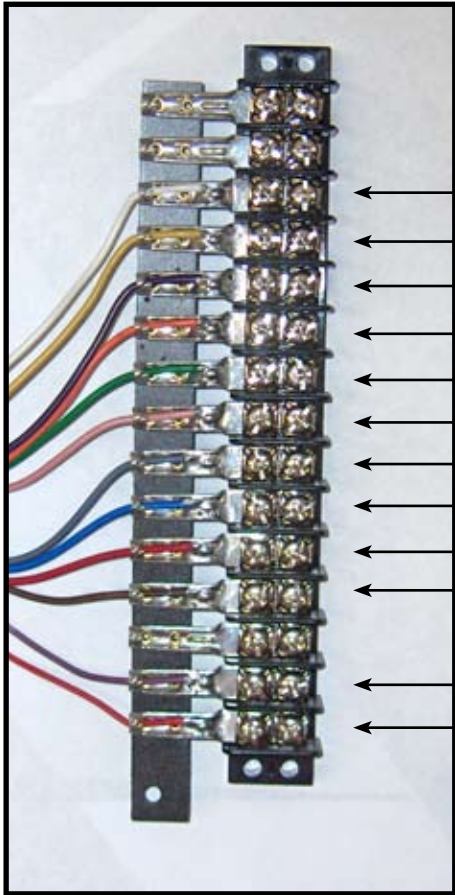


Coin Box



Power Box

Inside Coin Box

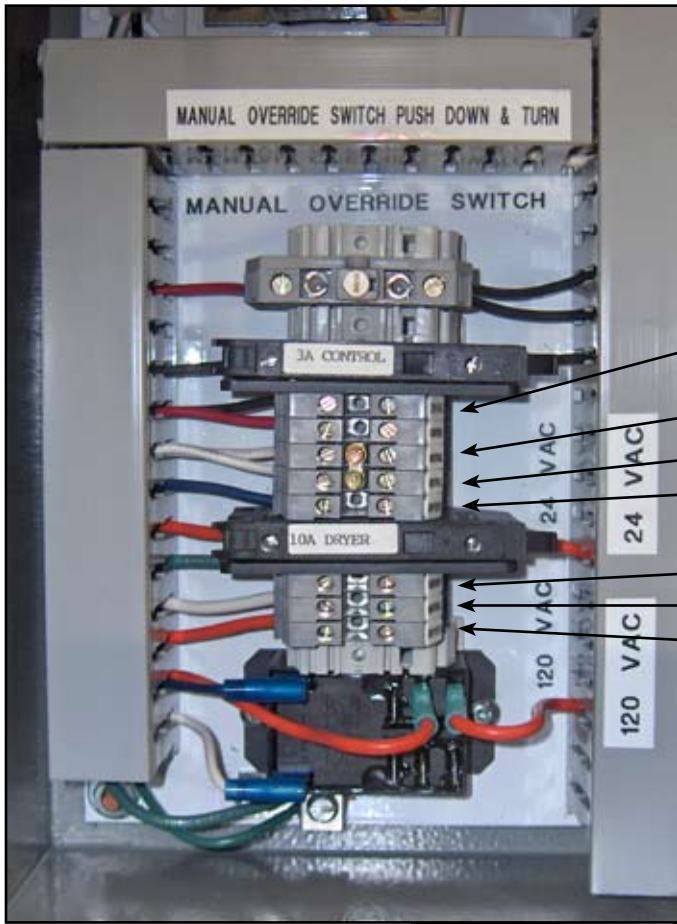


- ← De-Skunk (to supply cabinet)
- ← Flea & Tick (to supply cabinet)
- ← Oatmeal (to supply cabinet)
- ← Super Dry (to power box)
- ← Gentle Dry (to power box)
- ← Conditioner (to supply cabinet)
- ← Rinse (to supply cabinet)
- ← Shampoo (to supply cabinet)
- ← Disinfectant (to supply cabinet)
- ← Main Water (to supply cabinet)

- ← 24 Volt Neutral (from power box)
- ← 24 Volt Hot (from power box)

Terminal Strip

Inside Power Box



24 Volt Hot (to coinbox)

24 Volt Neutral (to coinbox)

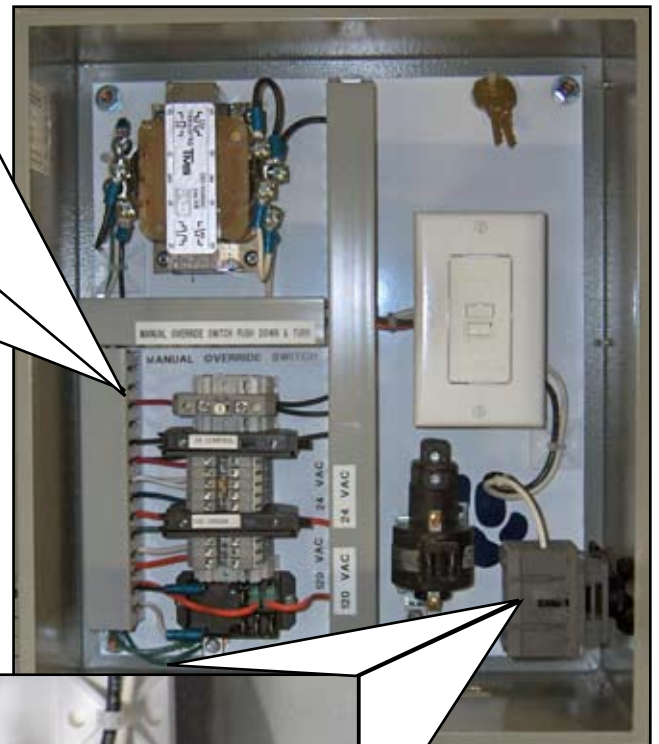
24 Volt Neutral (to relay)

Gentle Dry (from coinbox)

Ground (from dryer)

Neutral (from dryer)

110 Volt Hot (from dryer)



Two Wires Come From the Dryer Wire With Plug:

1. Cut plug off cord on dryer
2. Three Wires on Inside
 - A. Ground (green)
 - B. Neutral (white)
 - C. 110 Volt Hot (black)

Wire With Out Plug:

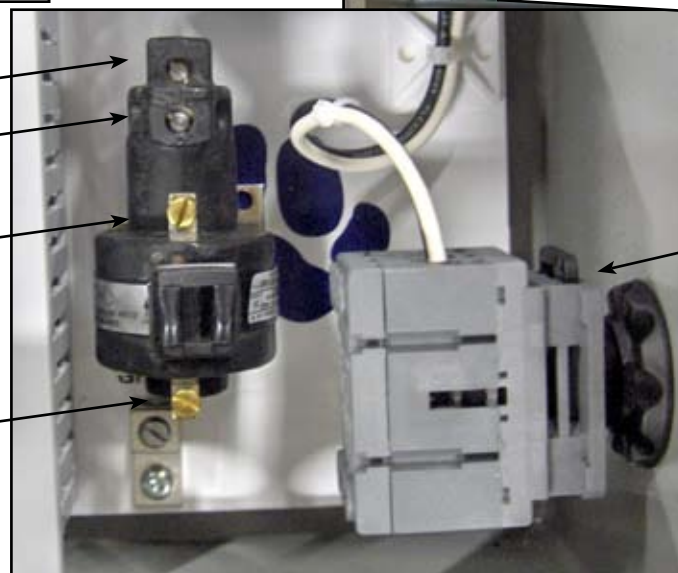
- A. 110 Volt Switched (white)
- B. 110 Volt Hot (black)
- C. Groud (green)

110 Volt Hot (from 2nd dryer wire)

110 Volt Switched Hot (from 2nd dryer wire)

Super Dry (from coin box)

24 Volt Neutral (from power box)



Mercury Relay

Main Disconnect Switch

Change
10 Amp Fuse
to 20 Amp Fuse

Inside Supply Cabinet

- Shampoo (from coin box)
- Conditioner (from coin box)
- Flea & Tick (from coin box)
- Disinfect (from coin box)
- Oatmeal (from coin box)
- De-Skunk (from coin box)
- Main Water (from coin box)
- 24 Volt Neutral (from coin box)

