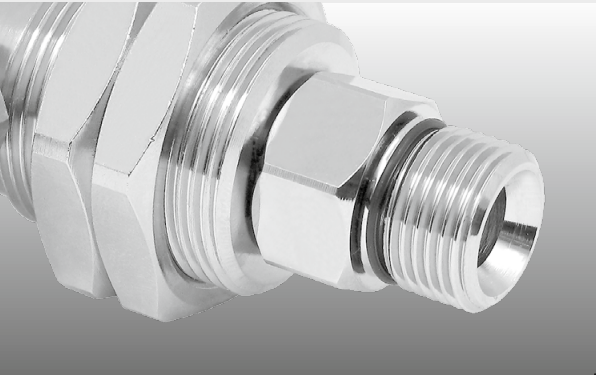


- ✓ High speed, triple bearing system
- ✓ Bulkhead fitting for mounting
- ✓ Corrosion resistant
- ✓ Highest quality and precision
- ✓ Maintenance free

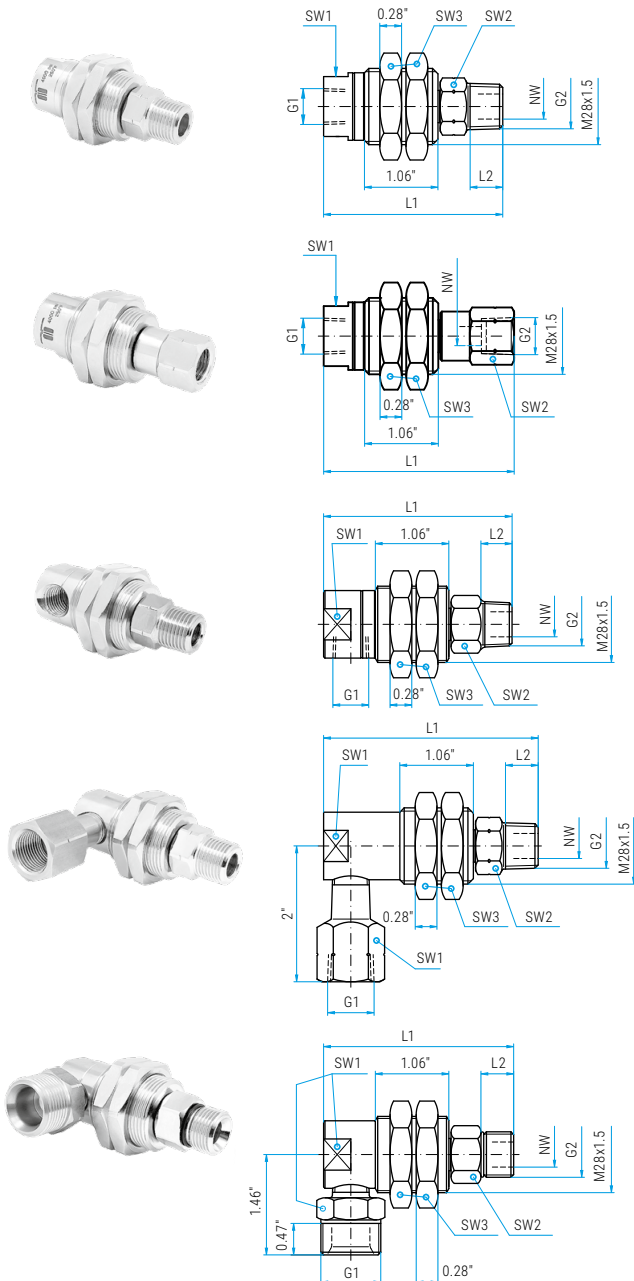
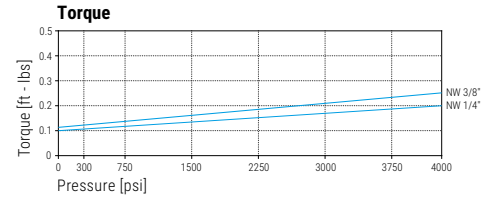
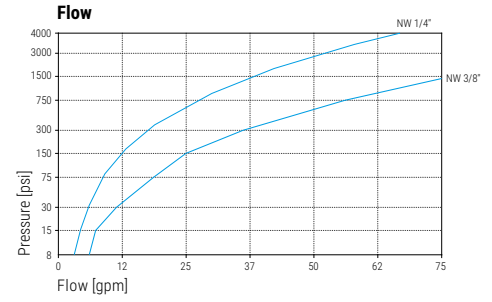


Application

High pressure cleaning technology, parts washers, tire cleaners, self rotating applications

TECHNICAL DATA

Pressure 4000 psi (27.5 MPa)
Temperature 90°F (at 1'000 rpm)
 250°F (at 30 rpm)
RPM max. 1'000 rpm
Body DGG: brass, nickel plated
 DGGI: stainless steel
Inner part stainless steel
Seal O-ring NBR
 (optional: EPDM or FKM)
Bearing 2x radial ball bearings
 1x thrust ball bearing
Throughput medium pH 3 - 12
 filtered 10 microns
 compressed air (290 psi)



DGG DGGI

Part No.	Part No.	G1 (F)	G2 (M)	NW	SW1	SW2	SW3	L1	L2	Weight
33.051	-	1/4" NPTF	1/4" NPTM	1/4"	0.87	0.67	1.34	2.71	0.43	8.5 oz
33.053	-	1/4" NPTF	3/8" NPTM	1/4"	0.87	0.75	1.34	2.75	0.47	7.4 oz
33.063	33.907	1/4" NPTF	G3/8" M	1/4"	0.87	0.75	1.34*	2.59	0.39	8.7 oz
33.151	-	3/8" NPTF	1/4" NPTM	1/4"	0.87	0.67	1.34	2.55	0.43	7.4 oz
33.153	-	3/8" NPTF	3/8" NPTM	1/4"	0.87	0.75	1.34	2.59	0.47	8.5 oz
33.163	-	3/8" NPTF	G3/8" M	1/4"	0.87	0.75	1.34	2.59	0.39	8.4 oz
33.653	-	3/8" NPTF	3/8" NPTM	3/8"	0.87	0.75	1.34	2.63	0.47	7.6 oz

* at DGGI: 1.42"

Part No.	G1 (F)	G2 (F)	NW	SW1	SW2	SW3	L1	Weight
33.052	1/4" NPTF	1/4" NPTF	1/4"	0.87	0.75	1.34	2.75	7.4 oz
33.054	1/4" NPTF	3/8" NPTF	1/4"	0.87	0.87	1.34	2.87	8.5 oz
33.152	3/8" NPTF	1/4" NPTF	1/4"	0.87	0.75	1.34	2.75	8.7 oz
33.154	3/8" NPTF	3/8" NPTF	1/4"	0.87	0.87	1.34	2.87	8.8 oz

DGG 90°

Part No.	G1 (F)	G2 (M)	NW	SW1	SW2	SW3	L1	L2	Weight
33.351	1/4" NPTF	1/4" NPTM	1/4"	0.87	0.67	1.34	2.71	0.43	7.8 oz
33.353	1/4" NPTF	3/8" NPTM	1/4"	0.87	0.75	1.34	2.75	0.47	8.5 oz

Part No.	G1 (F)	G2 (M)	NW	SW1	SW2	SW3	L1	L2	Weight
33.453	3/8" NPTF	3/8" NPTM	1/4"	0.87	0.75	1.34	2.75	0.47	10.7 oz
33.463	3/8" NPTF	G3/8" M	1/4"	0.87	0.75	1.34	2.75	0.39	12.1 oz

Part No.	G1 (F)	G2 (M)	NW	SW1	SW2	SW3	L1	L2	Weight
33.503	M21x1.5 M	G3/8" M	1/4"	0.87	0.75	1.34	2.76	0.47	10.4 oz
33.553	M22x1.5 M	G3/8" M	1/4"	0.87	0.75	1.34	2.76	0.47	11.7 oz

33.910	Seal kit for NW 1/4"
--------	----------------------

Legend

M.. = metric thrust, ..M = male, F = female, G = gas pipe thrust, QV = quick connects, SV = profile ring fitting
 D = diameter, k = conical, L = length, NW = nominal width, SW = wrench size

Additional Seal Options available

EPDM (E) or FKM/Viton (V). Please indicate letter of seal material after part number.
 Minimum orders apply.