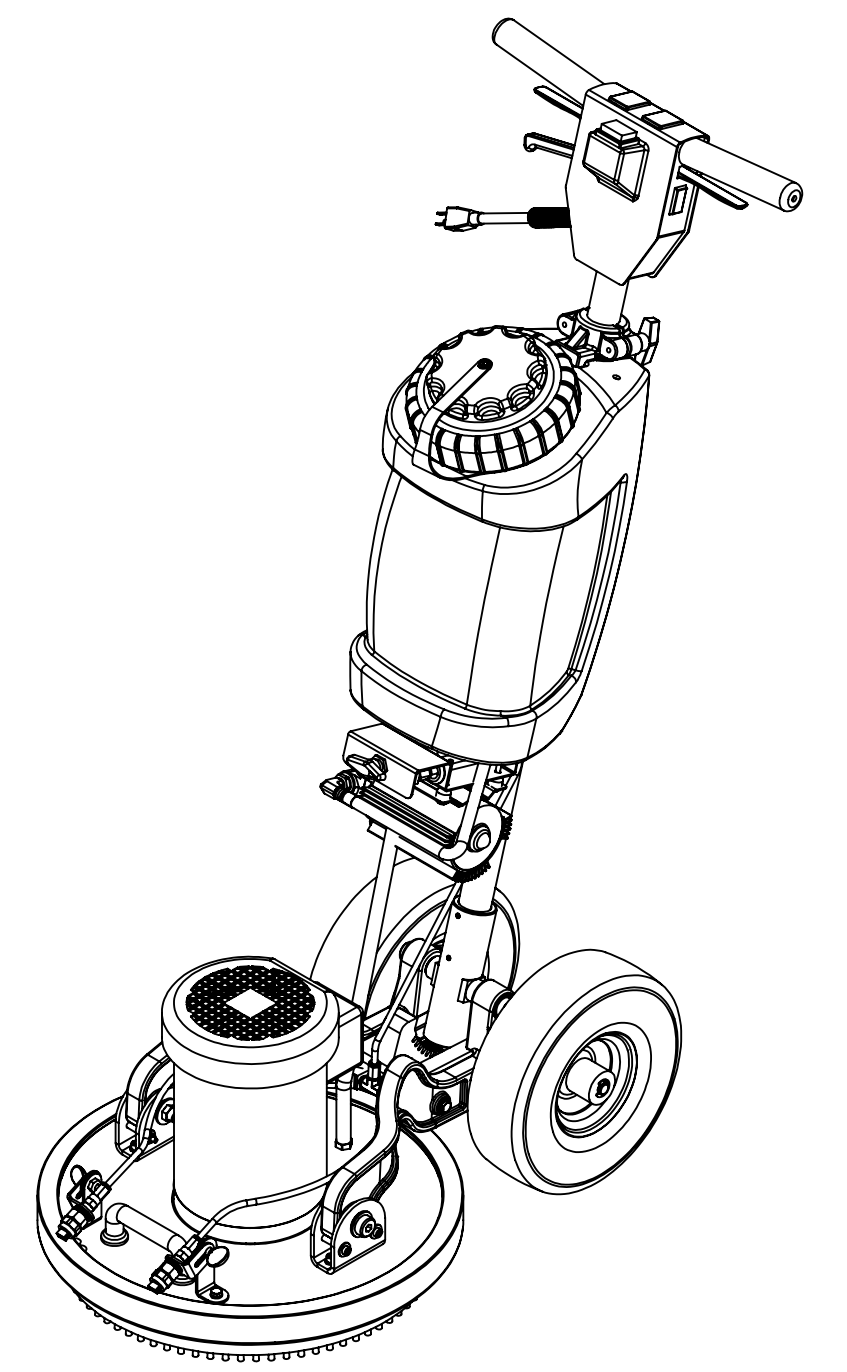


ITEM NO.	PART NO.	DESCRIPTION	QTY.	MSRP
1	H151	bolt, 5/16-18 x 3/4" Long SHCS	4	\$0.99 ea
2	H421	washer, 5/16" lock, s/s	6	\$0.99 ea
3	H843	locking arc, handle adj, floor machine	1	\$51.99 ea
4	H555	plate, yoke, ECO-17	1	\$33.99 ea
5	H216	nut, lock, 1/4-20, nylon insert, s/s	4	\$0.99 ea
6	H210	washer, 1/4" flat, s/s	19	\$0.99 ea
7	H316	bolt, 1/4-20 x 1-1/2" hex head, s/s	6	\$0.99 ea
8	H065	bushing, sleeve, 5/8 i.d. x 1.25" long	2	\$9.99 ea
9	H066	bolt, shoulder 5/8" x 1.25", 1/2-13 thrds	2	\$14.99 ea
10	H427	washer, wave	2	\$1.49 ea
11	H212	flat washer, 9/16"ID x 1 1/16"OD, AN960-C916	6	\$0.99 ea
12	H109	wheel, 10", foam filled	2	\$79.99 ea
13	H042	c-clip, 12mm, external	2	\$0.99 ea
14	H228	axle, 13.10" x .50" dia	1	\$9.99 ea
15	H553	arm, left	1	\$98.99 ea
16	P607	bushing, flange, .63" i.d. x .38" long	4	\$0.99 ea
17	H554	bracket, arm, ECO	2	\$28.99 ea
18	P606	bushing, flange, .63" i.d. x .25" long	4	\$0.99 ea
19	H242	bolt, shoulder, 5/8" x 1.5", 1/2-13 threads	2	\$19.99 ea
20	H252	bolt, shoulder, 1/4" x 1.5", 10-24 threads	4	\$3.99 ea
21	H351	screw, 1/4-20 x 3/4", socket head, s/s	4	\$0.99 ea
22	H213	washer, 1/4" lock, s/s	11	\$0.99 ea
23	C326B	motor, ECO	1	\$548.99 ea
24	B140	connector, 1/4" push-in x 1/8" mpt	6	\$7.49 ea
25	H559	plate, ECO-17	1	\$329.99 ea
26	G123	BUMPER, ECO-17	1	\$29.99 ea
27	H327	washer, 3/8" lock, s/s	4	\$0.99 ea
28	H293	bolt, 3/8-16 x 1", hex head	4	\$0.99 ea
29	H558	weight, counter, #3 offset, threaded, ECO	1	\$43.99 ea
30	H556	bearing, offset, ECO	1	\$30.99 ea
31	H342	bolt, 1/4-20 x 1" hex head, s/s	3	\$0.99 ea
32	P608	adapter, pad driver, encap machine	1	\$23.99 ea
33	G113A	PAD DRIVER, ECO-17	1	\$98.99 ea
34	H202	bolt, 1/4-20 x 3/4" hex head, s/s	8	\$0.99 ea
35	H398	nut, hex, 5/8-18	1	\$1.99 ea
36	H485	handle, aluminim grip, black	1	\$6.99 ea
37	B645A	filter, cap, ECO	2	\$4.99 ea
38	B645C	jet, ECO	2	\$9.99 ea
39	B645D	filter, strainer, ECO	2	\$8.99 ea
40	B645B	filter, body, ECO	2	\$5.99 ea
41	H384	washer, 3/8 flat, s/s	6	\$0.99 ea
42	H560	L bracket, ECO	2	\$3.99 ea
43	H561	jet bracket, ECO	2	\$3.99 ea
44	H922	screw, thumb, 1/4-20 x 1/2"	2	\$4.99 ea
45	G052	washer, buna 1-1/8" od x 3/16" id	2	\$1.99 ea
46	B153	coupling, 1/8" npt, light pattern	2	\$5.49 ea
47	PH657-11	tubing, 1/4", nylon, blk	2	\$1.99 ft
48	H403	nut, lock, 10-24, nylon insert	4	\$0.99 ea
49	H322	nut, hex, 1/2-13, s/s	2	\$0.99 ea
50	H552	arm, right	1	\$98.99 ea
51	H007	screw, 10-32 x 2", phil pan head, s/s	4	\$0.99 ea
52	B110	adapter, brass, 1/4" sw barb x 1/4" fpt, w/gasket	1	\$3.99 ea
53	B103	elbow, brass, 90 deg, 1/4"mpt x 1/4" fpt	1	\$4.49 ea
54	B107	nipple, brass, 1/4"m, hex	1	\$3.19 ea
55	B119	filter, strainer, 1/4"	1	\$3.99 ea
56	PH634-8	sol hose, 1/4", silicone braided, clear	1	\$6.49 ft
57	H349	heat sink, demand pump	1	\$24.99 ea
58	B147	tee, 1/8" fpt x 1/8" fpt x 1/8" fpt	1	\$6.49 ea
59	B657	elbow, 45 deg street, 1/8" mpt x 1/8" fpt	2	\$4.99 ea
60	B129	nipple, hex, 1/8" mpt x 1/8" mpt	2	\$1.99 ea
61	B656C	valve, ball, 1/8" fpt x 1/8" fpt, s/s	1	\$10.99 ea
62	PH657-15	tubing, 1/4", nylon, blk	1	\$1.99 ft

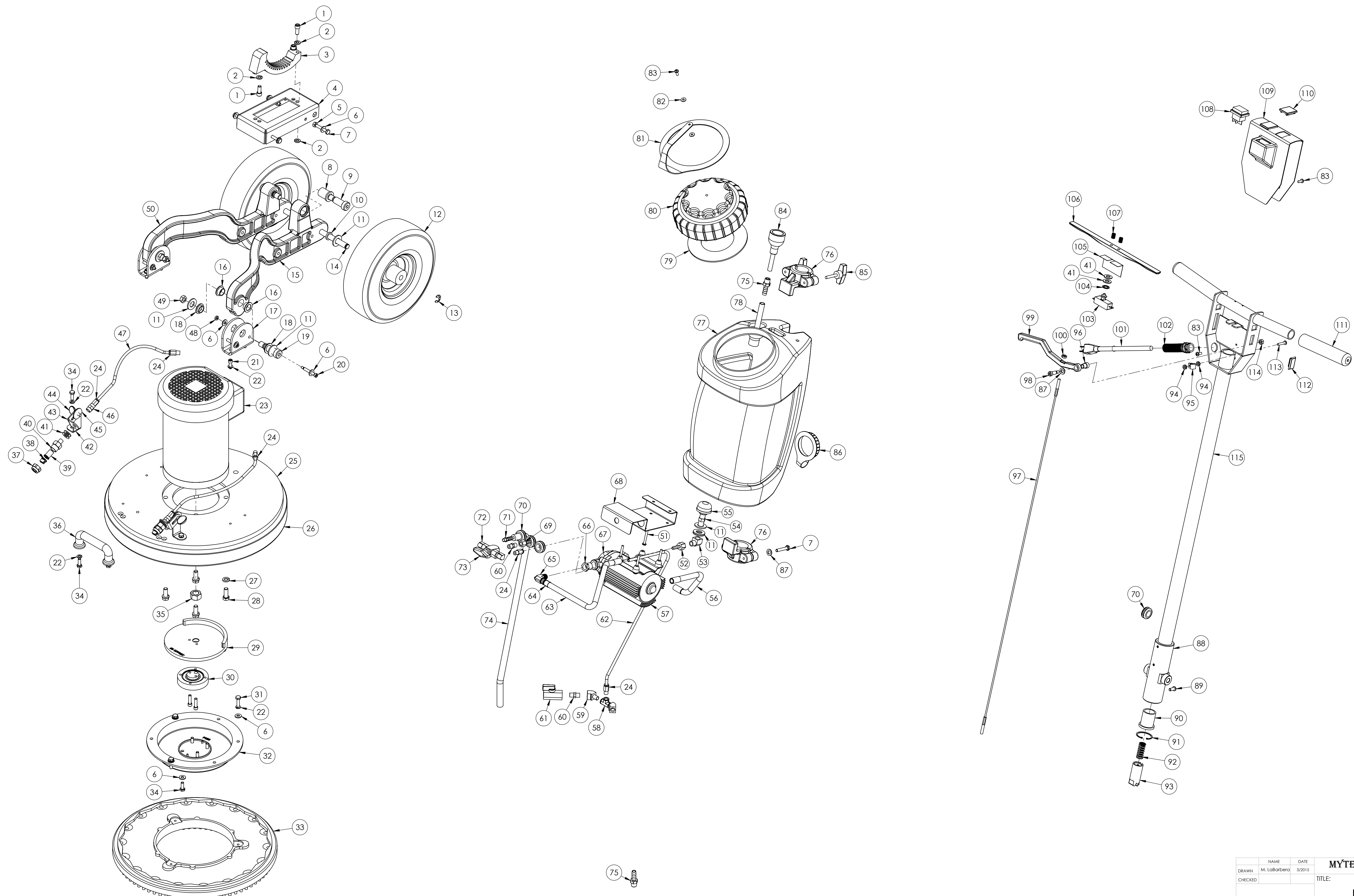
ITEM NO.	PART NO.	DESCRIPTION	QTY.	MSRP
63	PH634-12	sol hose, 1/4", silicone braided, clear	1	\$6.49 ft
64	B170	ferrule, 1/4" brass	4	\$0.99 ea
65	B136	elbow, brass, 90 deg, 1/4" mpt x 1/4" mpt	2	\$4.99 ea
66	B105	bushing, brass, 3/8"mpt x 1/4"	2	\$3.19 ea
67	C305A	pump, 100 PSI, no pressure switch	1	\$136.99 ea
68	H397	bracket, pump mount, ECO	1	\$25.99 ea
69	B131	fitting, 1/4" barb x 1/8" FPT	1	\$2.99 ea
70	H164	grommet, 5/8" ID	4	\$1.99 ea
71	B195	barb, 3/8" barb x 1/8" mpt	1	\$2.49 ea
72	B143	street elbow, 90 degrees, 1/8"	2	\$2.99 ea
73	B261	valve assy 3 way	1	\$54.99 ea
74	PH715-25	sol hose, 3/8", silicone braided, clear	1	\$7.99 ft
75	B241	adapter, brass, 3/8" barb x 1/4"mpt	2	\$1.99 ea
76	H915	clamp, shampoo tank	2	\$4.99 ea
77	P559	tank, ST-4	1	\$39.99 ea
78	PH612-60	clear tubing, 1/2" OD x 3/8" ID, faucet fill	1	\$1.99/ft
79	G031	gasket, 3.25" i.d. x 5.88" o.d.	1	\$6.99 ea
80	P560	cap, 6", threaded	1	\$23.99 ea
81	G055	tether, cap, 6 1/2"	1	\$12.99 ea
82	H612	Washer, #8, flat regular	2	\$0.99 ea
83	H230	screw, 10-32 x 1/2" phil pan head, s/s	4	\$0.99 ea
84	H178	faucet fill	1	\$10.99 ea
85	H357	thumb screw, 1/4" - 20, shampoo tank	2	\$1.99 ea
86	G036	cap, 2.5" threaded, tethered	1	\$3.49 ea
87	H148	washer, 5/16", narrow	3	\$0.99 ea
88	H341	handle pivot, floor machine	1	\$74.99 ea
89	H705	bolt, giude, locking piston	1	\$0.99 ea
90	H847	bushing, locking piston	1	\$17.99 ea
91	H152	ring, retaining, internal 1 1/2"	1	\$0.99 ea
92	H157	spring, handle adjustment	1	\$5.99 ea
93	H844	locking piston, handle adj.	1	\$19.99 ea
94	H273	nut, kep, #10-32 zinc	2	\$0.99 ea
95	H916	clip, cord, 5/16", nylon- BLACK	1	\$0.99 ea
96	P529	spacer, lever, handle adj.	1	\$1.99 ea
97	H159	cable, handle adj, floor machine	1	\$6.99 ea
98	H149	bolt, 5/16" shldr x 5/8" w/ 1/4-20 thrd	1	\$0.99 ea
99	H839	lever, handle adj., floor machine	1	\$19.99 ea
100	H216	nut, lock, 1/4-20, nylon insert, s/s	1	\$0.99 ea
101	E384	power cord, end, 15.5", 14/3	1	\$11.99 ea
102	H144	strain relief, power cord, metal	1	\$12.99 ea
103	H167	switch, floor machine	1	\$13.99 ea
104	H640	washer, internal star, 3/8" zinc	1	\$0.99 ea
105	H166	insulation, switch, floor machine	1	\$3.99 ea
106	H855	lever, switch, floor machine	1	\$6.99 ea
107	H160	spring, switch/lever	2	\$0.99 ea
108	E515	switch, rocker, 2 position	1	\$13.99 ea
109	H255	switch cover, EC, floor machine	1	\$30.99 ea
110	P967A	plug, switch	2	\$1.99 ea
111	G040	grip, handle, floor machine	2	\$1.99 ea
112	P524	plug, plastic, floor machine handle	1	\$0.99 ea
113	H231	screw, 10-32 x 1" phil pan head, s/s	1	\$0.99 ea
114	H215	nut, hex, 1/4-20 s/s	1	\$0.99 ea
115	H849	handle, floor machine	1	\$89.99 ea

**ITEMS NOT SHOWN**

PART NO.	DESCRIPTION	QTY	MSRP
E530	power cord, ext, blue lit, 50', 12/3	1	\$88.99 ea
G127-19	bonnet, micro fiber, 19"	1	\$23.99 ea
P568A	cord lock, s-type	1	\$8.99 ea



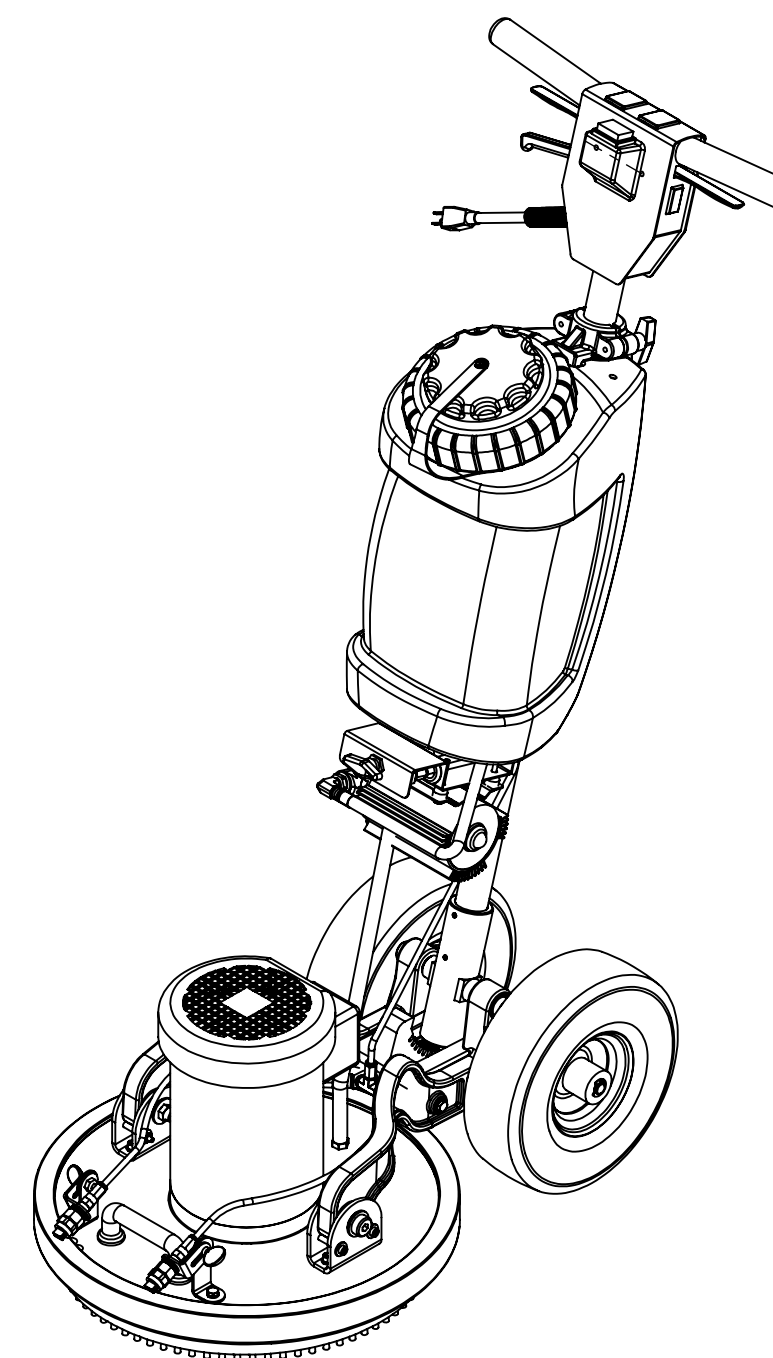
NAME	DATE	<b>MYTEE PRODUCTS, INC.</b> <small>858-679-1191</small>
DRAWN: M.LaBarbera	3/2015	
CHECKED:		TITLE:
COMMENTS:		<b>Encap</b>
<small>PROPRIETARY AND CONFIDENTIAL          THE INFORMATION CONTAINED IN THIS DRAWING IS THE SOLE PROPERTY OF MYTEE PRODUCTS, INC. ANY REPRODUCTION IN PART OR AS A WHOLE WITHOUT THE WRITTEN PERMISSION OF MYTEE PRODUCTS, INC. IS PROHIBITED.</small>		SIZE DWG. NO. REV <b>C ECO-17 OD</b>
SCALE: 1:24		DO NOT SCALE DRAWING SHEET 1 OF 3



NAME	DATE	MYTEE PRODUCTS, INC. 888-679-1191
M. LaBarbera	3/2015	
DRAWN		TITLE:
CHECKED		Encap
PROPRIETARY AND CONFIDENTIAL THE INFORMATION CONTAINED IN THIS DRAWING IS THE SOLE PROPERTY OF MYTEE PRODUCTS, INC. ANY REPRODUCTION IN PART OR AS A WHOLE WITHOUT THE WRITTEN PERMISSION OF MYTEE PRODUCTS, INC. IS PROHIBITED.		SIZE DWG. NO. REV
		D ECO-17 OD
SCALE: 1:24 DO NOT SCALE DRAWING		SHEET 2 OF 3

**REVISIONS**

REV.	DESCRIPTION	DATE	APPROVED
OD	ORIGINAL DRAFT	3/2015	JFL



	NAME	DATE	<b>MYTEE PRODUCTS, INC.</b> <small>858-679-1191</small>	
DRAWN	M.LaBarbera	3/2015	TITLE:	
CHECKED			<b>Encap</b>	
COMMENTS:				
<p><b>PROPRIETARY AND CONFIDENTIAL</b></p> <p>THE INFORMATION CONTAINED IN THIS DRAWING IS THE SOLE PROPERTY OF MYTEE PRODUCTS, INC. ANY REPRODUCTION IN PART OR AS A WHOLE WITHOUT THE WRITTEN PERMISSION OF MYTEE PRODUCTS, INC. IS PROHIBITED.</p>			SIZE	DWG. NO.
			<b>C</b>	<b>ECO-17</b>
			SCALE: 1:24	REV <b>OD</b>
			<small>DO NOT SCALE DRAWING</small>	SHEET 3 OF 3