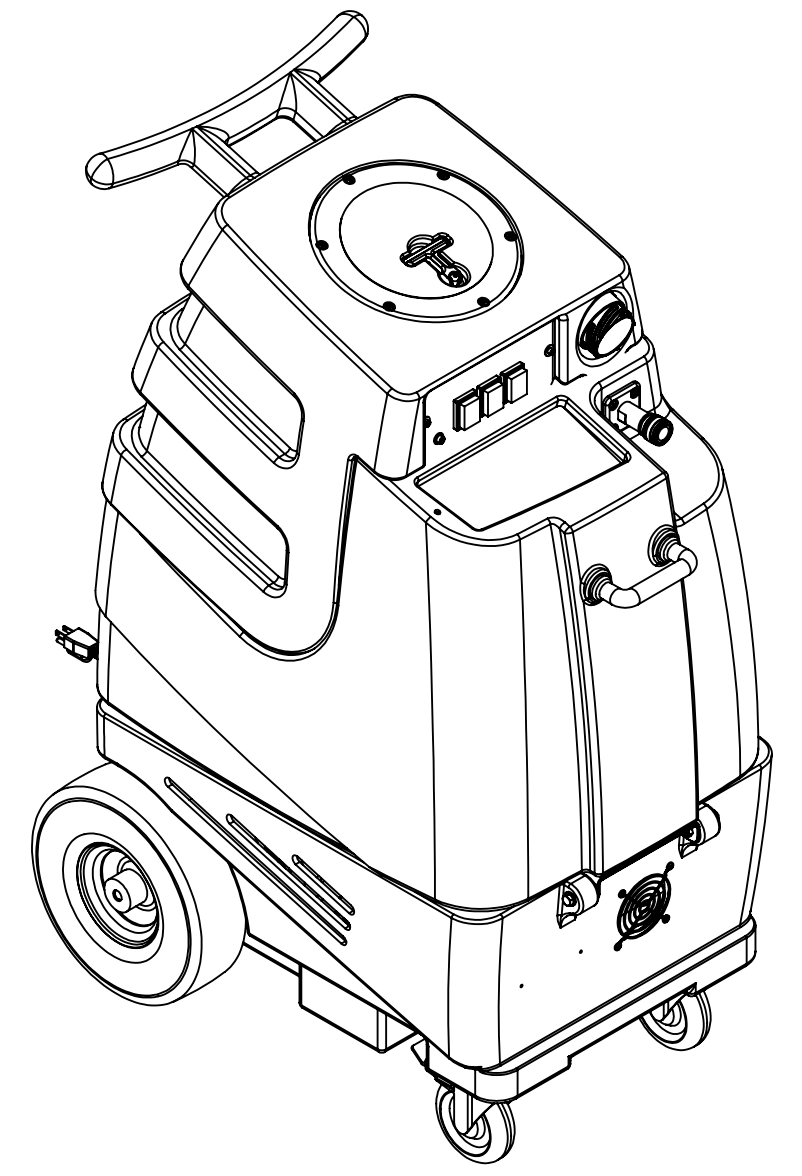



ITEM NO.	PART NO.	DESCRIPTION	Web/QTY.
1	H296	guard, cooling fan, wire	2
2	H304	screw, #8 x 5/8 phil oval, s/s	14
3	H216	nut, lock, 1/4-20, nylon insert, s/s	10
4	H210	washer, 1/4" flat, s/s	19
5	H342	bolt, 1/4-20 x 1" hex head, s/s	8
6	H668	caster, 4", black hub & gray tread	2
7	H254	washer, axle, cut 1/2" id	10
8	H109	wheel, 10", foam filled	2
9	H042	c-clip, 12mm, external	2
10	H371	axle, 18.03" x .50" dia	1
11	H256	screw, 10-32 x 3/4" phil pan head	6
12	H273	nut, kep, #10-32 zinc	8
13	H528	bracket, heater mounting, dual	1
14	A907	heater, 1200wt, 115v	1
15	B142	coupling, 1/4" fpt x 1/4" fpt	2
16	B108	valve, brass, 1/4" check	1
17	AH184	sol hose, 1/4" x 14.5" OAL, 1/4" msw x 1/4" fpt	1
18	B541	valve, relief, 250 psi	1
19	B109	barb, 1/4" barb x 1/4" mpt	1
20	B170	ferrule, 1/4" brass	2
21	PH634-27	sol hose, 1/4", silicone braided, clear	1
22	B110	adapter, brass, 1/4" sw barb x 1/4" fpt, w/gasket	1
23	B113	tee, 1/4" fpt x 1/4" fpt x 1/4" fpt	1
24	H221	nut, lock, 1/2" steel, electrical	1
25	H220	fitting, strain relief, cord	1
26	E531	power cord, end, 25', 12/3 black	1
27	P731	base	1
28	C305	pump, 120 psi, 115V	1
29	H347	clamp, hose, 5/16-29/32	2
30	PH615K-36	sol hose, 1/2", polywire reinforced	1
31	B160	adapter, brass, 1/2" barb x 3/8" fsw, ball end	1
32	B186	elbow, 90 deg street, 3/8"mpt x 3/8" fmpt	1
33	H299	washer, 11/16" id x 1-1/2" od x .075, s/s	3
34	B652	elbow, 90 deg, 3/8"mpt x 1/4"mpt	1
35	H230	screw, 10-32 x 1/2" phil pan head, s/s	4
36	B172	elbow, brass, 90 deg, 1/2" barb x 3/8"mpt	1
37	H912	bracket, rear, fb/spy	1
38	H770	bolt, 1/4-20 x 1/2" serrated hex flange, zinc	8
39	H307	washer, star, 1/4" steel zinc	2
40	H217	clamp, hose, 2-1/4 dia	2
41	PH628-8	vac hose, 2", wire reinforced	1
42	H124V	CUFF-LYNX, 2" female cuff X 2" male thread starter cuff	1
43	H194	coupler, 2" dia x 3" length, s/s	1
44	P634	plug, 2", 4 clips, exhaust port	1
45	H203	bolt, 1/4-20 x 1-1/4"	2
46	H211	washer, 1/4" id x 1" od, flat, s/s	6
47	G052	washer, buna 1-1/8" od x 3/16" id	6
48	H213	washer, 1/4" lock, s/s	7
49	H215	nut, hex, 1/4-20 s/s	2
50	G018	cover, sol tank (sp)	1
51	P732	sol tank, speedster	1
52	H768	bolt, 1/4-20 x 3/4" serrated hex flange, zinc	2
53	H485	handle, aluminum grip, black	1
54	AH206	sol hose, 1/4" x 48", 1/4 msw x 1/4 mpt	1
55	H484	plate, mounting, QD	1
56	B102	quick disconnect, 1/4" fqd x 1/4" fpt	1
57	H201	bolt, 1/4-20 x 1/2", hex head, zinc	2
58	H378	bracket, front hinge, sp/fb	1
59	H316	bolt, 1/4x1-1/2", hex head zinc	2
60	B103	elbow, 90 deg street, 1/4"mpt x 1/4" fpt	1
61	H212	flat washer, 9/16" ID x 1 1/16" OD, AN960-C916	3
62	B107	nipple, hex, 1/4"mpt x 1/4"mpt	1

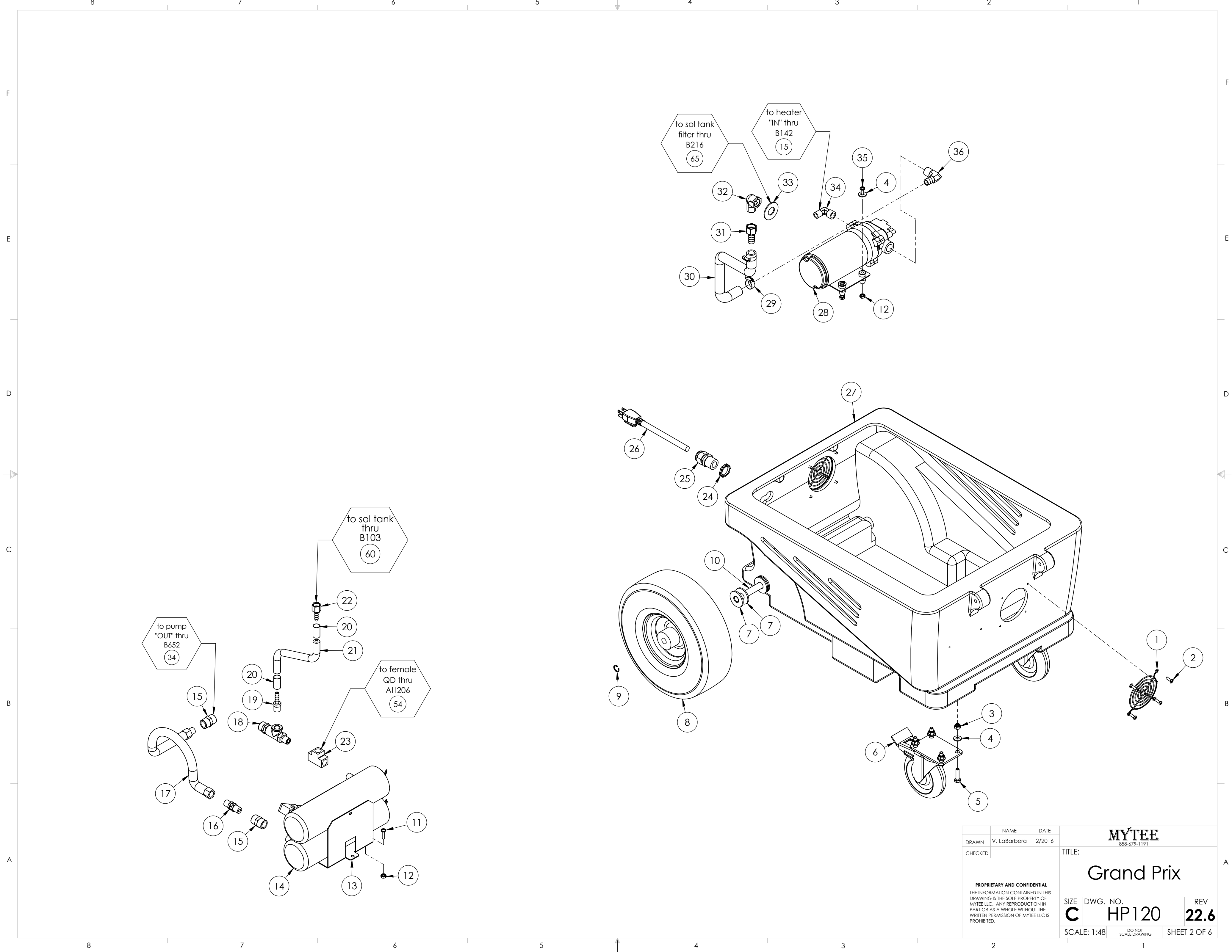
ITEM NO.	PART NO.	DESCRIPTION	Web/QTY.
63	B119A	filter, strainer, 1/2" fpt	1
64	B210	bushing, brass, 1/2"mpt x 3/8" fpt, hex	1
65	B216	nipple, brass, 3/8" x close	1
66	H225	valve, drain, 1-1/2"	1
67	P733	vac tank, speedster	1
68	A926	elbow, inlet assembly 2"	1
69	A116	Converter Kit, level switch w/relays, Speedster	1
70	G090	lid, vac tank, clear, 7"	1
71	G091	gasket, 7", vac lid	1
72	H135V	Cuff-Lynx, 2" male cuff x 2" mpt, vinyl	1
73	H338	plate, switch, sp, 3 hole	1
74	H612	waasher, #8, flat regular	2
75	H246	screw, 8-32 x 3/8" SHCS, alloy, Black	2
76	E515	switch, rocker, 2 position	3
77	H389	screw, 10-32 x 1/2" SHCS, alloy	1
78	H289	washer, 10 flat, s/s	1
79	G004	gasket, vacuum motor	1
80	H503	vac support, 3 stage, 3.25", no thrds	3
81	H390A	bracket, "L", 2" x 2"	2
82	H096	bolt, hex, 1/4-20 x 4", zinc Finish	3
83	C302LA	vac motor, 3 stage, low amp	1

**ITEMS NOT SHOWN**

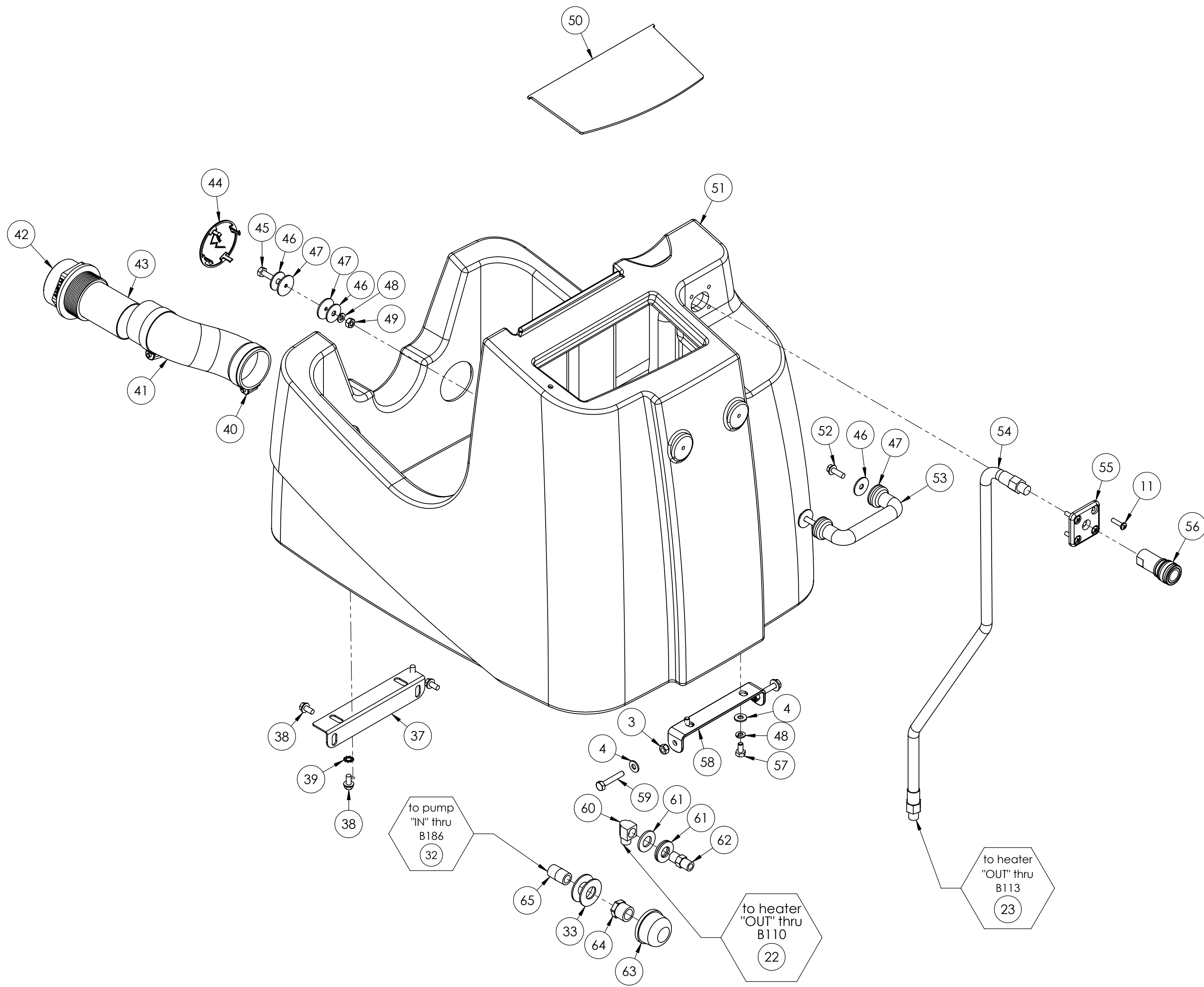
PART NO.	DESCRIPTION	QTY.
8400P	tool, upholstery, 4", Air Lite	1
8501	hose assem, vac/sol, 15' x 1-1/4", cuff, hose in hose	1
E999	harness, electrical, HP120	1
H226	spout, drain, 45 degree	1
G079	hose wrap, heat guard	1
P590	cuties, 1/4" qd, standard pack of 2	1



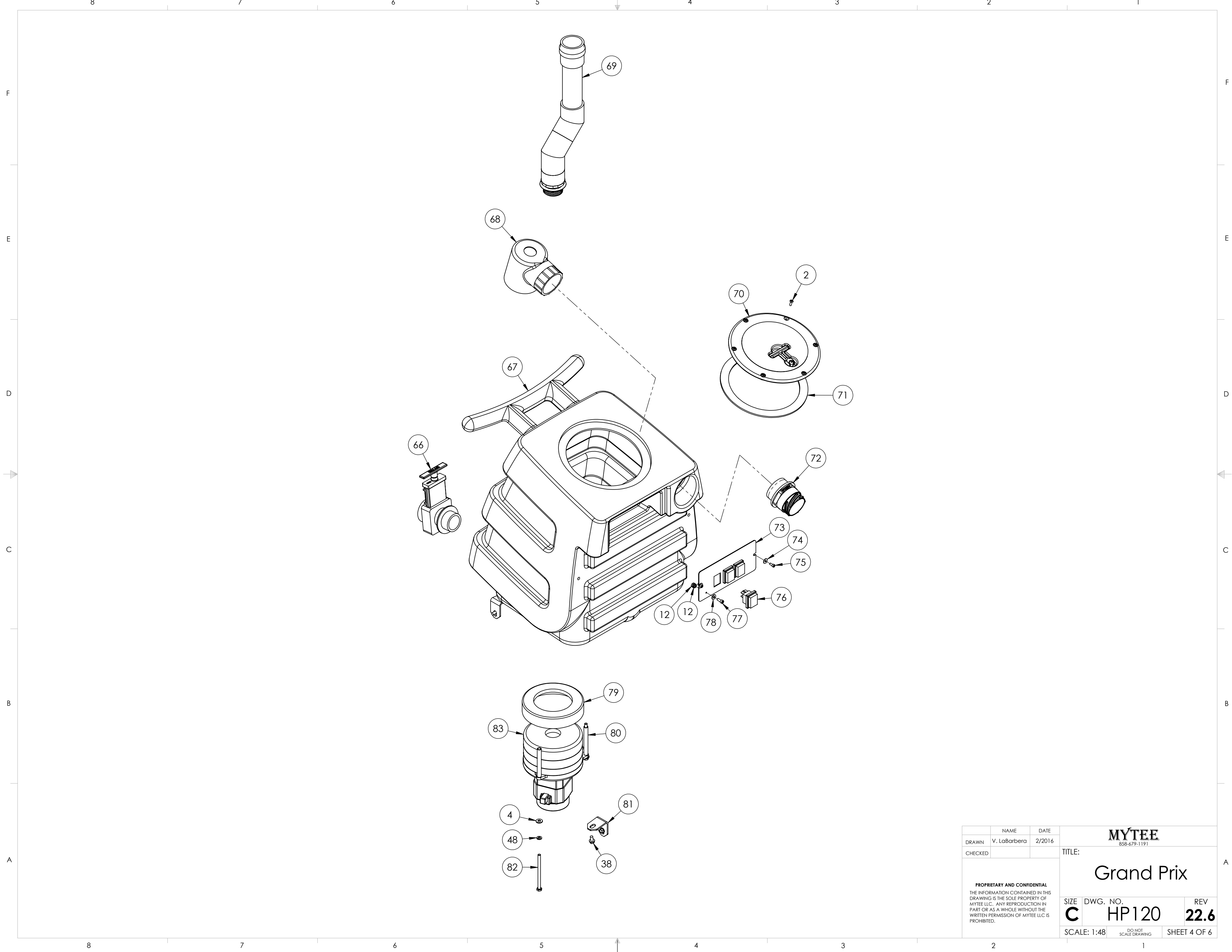
NAME	DATE	 858-679-1191		
DRAWN V. LaBarbera	2/2016			
CHECKED		TITLE:		
<small>PROPRIETARY AND CONFIDENTIAL          THE INFORMATION CONTAINED IN THIS DRAWING IS THE SOLE PROPERTY OF MYTEE LLC. ANY REPRODUCTION IN PART OR AS A WHOLE WITHOUT THE WRITTEN PERMISSION OF MYTEE LLC IS PROHIBITED.</small>		<h1>Grand Prix</h1>		
		SIZE	DWG. NO.	REV
		<b>C</b>	<b>HP120</b>	<b>22.6</b>
		SCALE: 1:48	DO NOT SCALE DRAWING	SHEET 1 OF 6



	NAME	DATE	<b>MYTEE</b> 858-679-1191	
DRAWN	V. LaBarbera	2/2016		
CHECKED			TITLE:	
<small>PROPRIETARY AND CONFIDENTIAL THE INFORMATION CONTAINED IN THIS DRAWING IS THE SOLE PROPERTY OF MYTEE LLC. ANY REPRODUCTION IN PART OR AS A WHOLE WITHOUT THE WRITTEN PERMISSION OF MYTEE LLC IS PROHIBITED.</small>			<b>Grand Prix</b>	
			SIZE	DWG. NO.
		<b>C</b>	<b>HP120</b>	<b>22.6</b>
SCALE: 1:48		DO NOT SCALE DRAWING		SHEET 2 OF 6

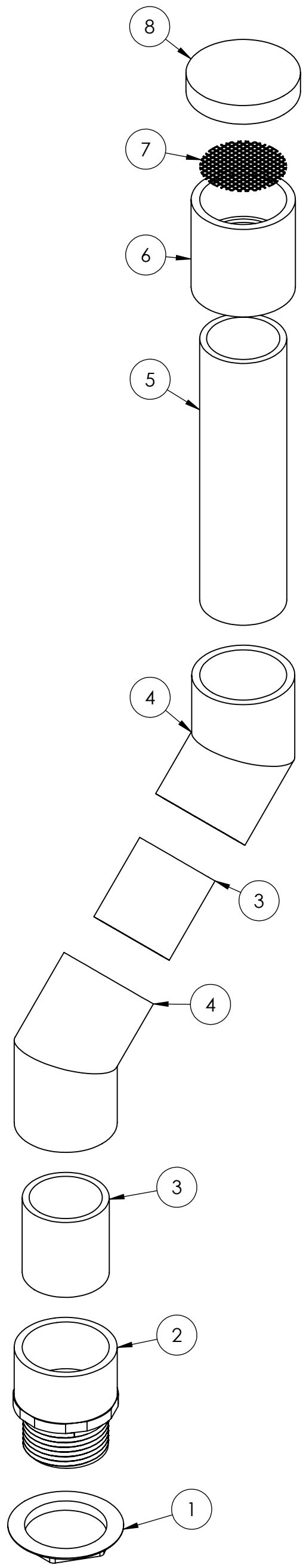


	NAME	DATE	<b>MYTEE</b> 858-679-1191		
DRAWN	V. LaBarbera	2/2016			
CHECKED			TITLE:		
<b>PROPRIETARY AND CONFIDENTIAL</b> THE INFORMATION CONTAINED IN THIS DRAWING IS THE SOLE PROPERTY OF MYTEE LLC. ANY REPRODUCTION IN PART OR AS A WHOLE WITHOUT THE WRITTEN PERMISSION OF MYTEE LLC IS PROHIBITED.			Grand Prix		
			SIZE	DWG. NO.	REV
			<b>C</b>	<b>HP120</b>	<b>22.6</b>
			SCALE: 1:48	DO NOT SCALE DRAWING	SHEET 3 OF 6



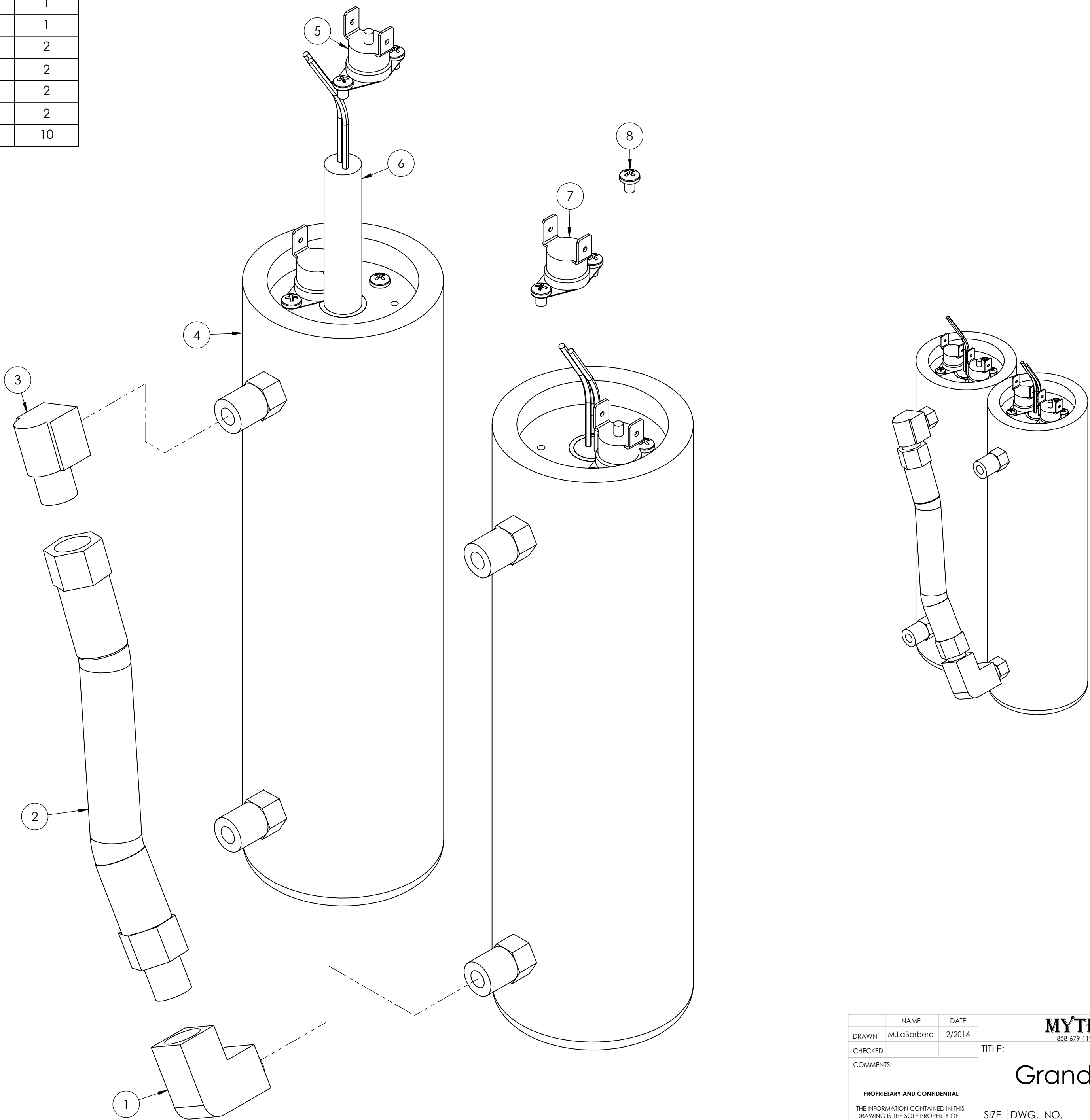
	NAME	DATE	<b>MYTEE</b> 858-679-1191			
DRAWN	V. LaBarbera	2/2016				
CHECKED			TITLE:			
<b>PROPRIETARY AND CONFIDENTIAL</b> THE INFORMATION CONTAINED IN THIS DRAWING IS THE SOLE PROPERTY OF MYTEE LLC. ANY REPRODUCTION IN PART OR AS A WHOLE WITHOUT THE WRITTEN PERMISSION OF MYTEE LLC IS PROHIBITED.			<b>Grand Prix</b>			
			SIZE	DWG. NO.	REV	
			<b>C</b>	<b>HP120</b>	<b>22.6</b>	
			SCALE: 1:48	DO NOT SCALE DRAWING	SHEET 4 OF 6	

ITEM NO.	PART NO.	DESCRIPTION	QTY.
1	H314	nut, lock, 1-1/2", steel	1
2	P520	adapter, 1.5" mpt pvc	1
3	PH633-2.5	pipe, pvc, 1-1/2"	2
4	P503	adapter, 1.5" pvc, 45 deg, fslip	2
5	PH633-7	pipe, pvc, 1-1/2"	1
6	P502	adapter, 1.5" pvc, fslip x fslip	1
7	G097	filter, screen mesh, 1.90" dia	1
8	G022	filter, foam, 2.50" x .50"	1



	NAME	DATE	<b>MYTEE</b> 858-679-1191		
DRAWN	V. LaBarbera	2/2016			
CHECKED			TITLE:		
<small>PROPRIETARY AND CONFIDENTIAL THE INFORMATION CONTAINED IN THIS DRAWING IS THE SOLE PROPERTY OF MYTEE LLC. ANY REPRODUCTION IN PART OR AS A WHOLE WITHOUT THE WRITTEN PERMISSION OF MYTEE LLC IS PROHIBITED.</small>			<b>Grand Prix</b>		
			SIZE	DWG. NO.	REV
			<b>C</b>	<b>HP120</b>	<b>22.6</b>
			SCALE: 1:8	DO NOT SCALE DRAWING	SHEET 5 OF 6

ITEM NO.	PART NO.	DESCRIPTION	QTY.
1	B207	elbow, brass, 90 deg, 1/4" fpt x 1/4" fpt	1
2	AH156	hose, 3/8", (OAL), f x fs, 5400 gray	1
3	B103	elbow, 90 deg street, 1/4"mpt x 1/4" fpt	1
4	H903A	heater, aluminum cast, single	2
5	E574	Thermostat, 310°F ± 10°F, Manual, 1/4"	2
6	E571	heating rod, 600W, 115V	2
7	E573	Thermostat, 200°, Auto, 1/4"	2
8	H274	screw, 6 x 3/16, phil pan head, self-tapping	10



	NAME	DATE	<b>MYTEE</b> 858-679-1191		
DRAWN	M.LaBarbera	2/2016			
CHECKED			TITLE: <b>Grand Prix</b>		
COMMENTS:					
<small>PROPRIETARY AND CONFIDENTIAL</small> <small>THE INFORMATION CONTAINED IN THIS DRAWING IS THE SOLE PROPERTY OF MYTEE LLC. ANY REPRODUCTION IN PART OR AS A WHOLE WITHOUT THE WRITTEN PERMISSION OF MYTEE LLC IS PROHIBITED.</small>			SIZE	DWG. NO.	REV
			<b>C</b>	<b>HP120</b>	<b>22.6</b>
SCALE: 2:2			DO NOT SCALE DRAWING	SHEET 6 OF 6	