

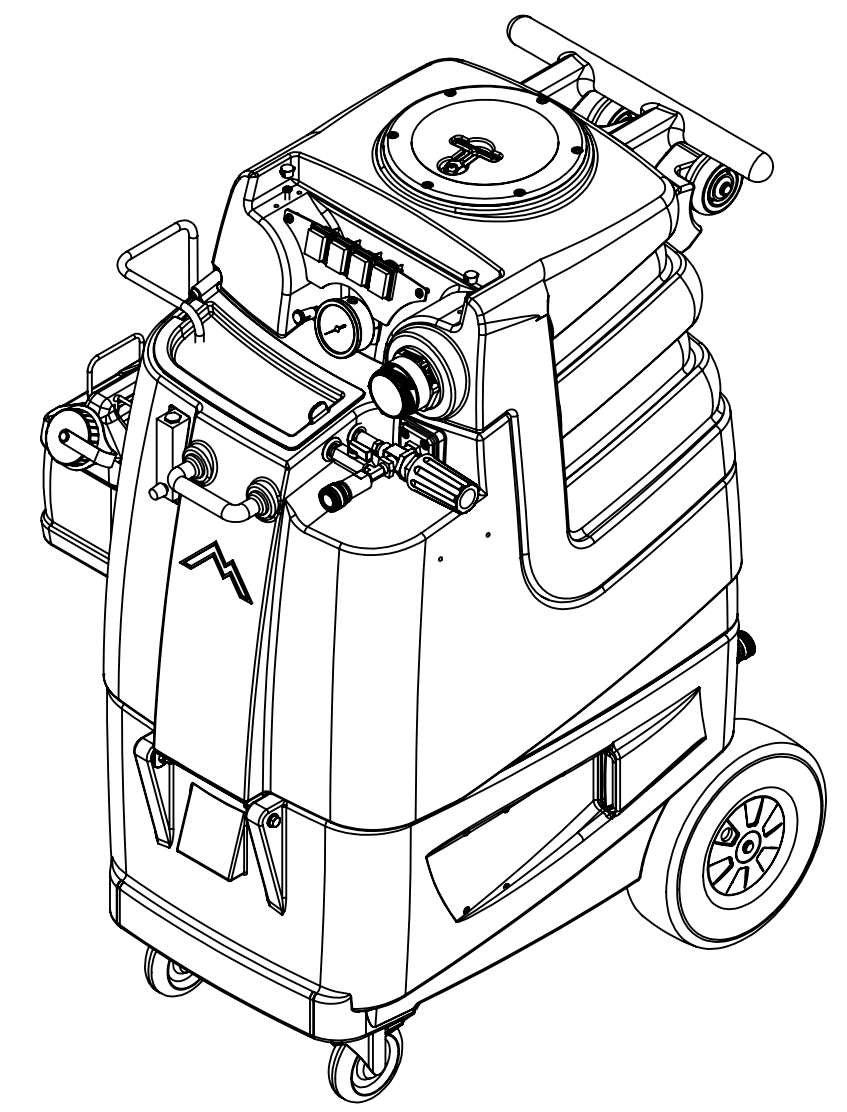
ITEM NO.	PART NO.	DESCRIPTION	QTY.
1	H212	flat washer, 9/16"ID x 1 1/16"OD, AN960-C916	5
2	B199	coupler, 1/2" fpt x 1/4" fpt	2
3	B644	barb, 1/2" barb x 1/4" mpt	2
4	B173	ferrule, 1/2", brass	4
5	PH615-30	sol hose, 1/2", silicone braided, clear	1
6	H273	nut, kep, #10-32 zinc	18
7	H210	washer, 1/4" flat, s/s	32
8	H186	screw, 10-32 x 3/4, phil, flat, countersunk, s/s, black	10
9	C381A	pump out, 230v	1
10	PH615-37	sol hose, 1/2", silicone braided, clear	1
11	B160	adapter, brass, 1/2" barb x 3/8" fsw, ball end	2
12	H042	c-clip, 12mm, external	2
13	H109	wheel, 10", foam filled	2
14	H232	axle, 18.80" x .50"	1
15	P511	LX series base	1
16	P514	vent, side, LTD	2
17	H668	caster, 4", black hub & gray tread	2
18	H342	bolt, 1/4-20 x 1" hex head, s/s	8
19	H216	nut, lock, 1/4-20, nylon insert, s/s	14
20	H202	bolt, 1/4-20x3/4" hex head	4
21	B107	nipple, hex, 1/4"mpt x 1/4"mpt	6
22	AH184	sol hose, pulse, 3/8" x 14.5, 1/4"fsw x 1/4"fpt	2
23	B260A	quick disconnect, 1/4" mqd x mpt, open-spray	3
24	B259A	qd, brass, 1/4" fqd x fpt	3
25	B136	elbow, brass, 90 deg, 1/4" mpt x 1/4" mpt	2
26	B104	bushing, brass, 1/4" mpt x 1/8" f	3
27	B127	plug, brass, 1/4"mpt, hex	1
28	B103	elbow, 90 deg street, 1/4"mpt x 1/4" fpt	4
29	PH615-23	sol hose, 1/2", silicone braided, clear	1
30	C342	pump, 500 PSI, pumptec, 120V/230V	1
31	G068	bumper, 7/8" x 1/4" head	2
32	H486	latch, front, set, large	2
33	H230	screw, 10-32 x 1/2" phil pan head, s/s	18
34	E360	flanged male inlet recaptacle, 230V, 20A	2
35	H039	plate, auto fill/ pump out	1
36	B656A	valve, ball, 1/2" mpt x 1/2" fpt, s/s	1
37	B205B	quick disconnect, 1/2" mpt x 3/4" mqd, garden hose	1
38	B204	quick disconnect, 3/4" fm x 3/4" fm, garden hose	1
39	B101	qd, brass, 1/4" m	1
40	E632	relay, shut-off switch, mechanical float, 115v	2
41	G165	cover, relay	2
42	E564	controller, circuit light, audible	1
43	AH117	sol hose, 1/4" x 39", 1/4" fsw x 1/4" fpt	1
44	B208	coupling, 3/8" fpt x 1/4" fpt	1
45	B186	elbow, 90 deg street, 3/8"mpt x 3/8" fmpt	3
46	H299	washer, 11/16" id x 1-1/2" od x .075, s/s	9
47	B105	bushing, brass, 3/8"mpt x 1/4"	2
48	B303	nipple, 3" long x 1/4" npt x 1/4" npt	3
49	B142	coupling, 1/4" fpt x 1/4" fpt	2
50	B167	elbow, 90 deg street, 1/2" fpt x 1/2" mpt	3
51	B198	adapter, 3/4" fgh x 1/2" mpt, w/ gasket	1
52	H541A	valve, float, autofill	1
53	B109	barb, 1/4" barb x 1/4" mpt	2
54	B216	nipple, brass, 3/8" x close	2
55	B210	bushing, brass, 1/2"mpt x 3/8" fpt, hex	2
56	B119A	filter, strainer, 1/2" fpt	1
57	H213	washer, 1/4" lock, s/s	5
58	H201	bolt, 1/4-20 x 1/2", hex head, zinc	2
59	H378	bracket, front hinge, sp/fb	1
60	H204	bolt, 1/4-20 x 1 3/4" hex head, s/s	2
61	B170	ferrule, 1/4" brass	6
62	PH634-18	sol hose, 1/4", silicone braided, clear	1


ITEM NO.	PART NO.	DESCRIPTION	QTY.
63	B131	fitting, 1/4" barb x 1/8" FPT	2
64	B143	street elbow, 90 degrees, 1/8"	2
65	B129	nipple, hex, 1/8" mpt x 1/8" mpt	2
66	H325	flow meter, electric truckmount	1
67	G069	gasket, flow meter	1
68	H246	screw, 8-32 x 3/8" SHCS, alloy, Black	2
69	H547	hanger, wire for injection sprayer	1
70	G036	cap, 2.5" threaded, tethered	2
71	P535	bottle, 5 quart, w/ caps	1
72	B117	strainer, with check, chemical injector	1
73	H456B	cap (only) w/ hole	1
74	PH634-26	sol hose, 1/4", silicone braided, clear	1
75	H485	handle, aluminum grip, black	1
76	G052	washer, buna 1-1/8" od x 3/16" id	2
77	H211	washer, 1/4" id x 1" od, flat, s/s	2
78	H768	bolt, 1/4-20 x 3/4" serrated hex flange, zinc	2
79	P509	LX series sol tank	1
80	H650	bolt, shoulder, 5/16" x 1-1/2" soc, s/s	1
81	P513	solution tank lid, LTD	1
82	H390A	bracket, "L", 2" x 2"	2
83	H770	bolt, 1/4-20 x 1/2" serrated hex flange, zinc	4
84	H124V	Cuff-Lynx, 2" fem cuff x 2" male thread starter cuff, vinyl	1
85	PH634-20	sol hose, 1/4", silicone braided, clear	1
86	C313C	regulator, 450 psi, silver spring	1
87	H484	plate, mounting, QD	1
88	AH203	hose, pulse, 3/8" x 34", 3/8" fitting (OAL)	2
89	B135	tee, 1/4" mpt x 1/4" mpt x 1/4" mpt	1
90	B102	quick disconnect, 1/4" fqd x 1/4" fpt	1
91	B656	valve, ball, 1/4" fpt x 1/4" fpt, s/s	1
92	H164	grommet, 5/8" ID	2
93	PH634-36	sol hose, 1/4", silicone braided, clear	1
94	H308D	gauge, pressure, 2000 PSI	1
95	E512B	light, indicator, blue	1
96	H074	plate, switch, ltd5, ltd12	1
97	E515	switch, rocker, 2 position	4
98	H029	screw, plastite, 10 x 1/2", s/s	2
99	P512	LX series switchbox	1
100	H031	screw, plastite, 10 x 1"	2
101	H434	plug, vent, heyco, 1/2"	2
102	H135V	Cuff-Lynx, 2" male cuff x 2" mpt, vinyl	1
103	E373	level switch, vacuum shut-off, rear threads	2
104	B156	nut, 1/4" npt	1
105	B113	tee, 1/4" fpt x 1/4" fpt x 1/4" fpt	1
106	H314	nut, lock, 1-1/2", steel	1
107	P520	adapter, 1.5" mpt pvc	1
108	PH633-9	PIPE, PVC, 1-1/2" x 9-1/2" LG.	1
109	P503	adapter, 1.5" pvc, 45 deg, fslip	2
110	PH633-5	pipe, pvc, 1-1/2"	1
111	H217	clamp, hose, 2-1/4 dia	2
112	PH633-1	pipe, pvc, 1-1/2"	1
113	G090	lid, vac tank, clear, 7"	1
114	H304	screw, #8 x 5/8 phil oval, s/s	6
115	G091	gasket, 7", vac lid	1
116	G003	filter, foam, 2", vac stack, 1/2"	1
117	G097	filter, screen mesh, 1.90" dia	1
118	A926	elbow, inlet assembly 2"	1
119	A145	Handle, Wheel Kit, LTD	1
120	H225	valve, drain, 1-1/2"	1
121	P510	LX series vac tank	1
122	H194	coupler, 2" dia x 2.5" length, s/s	1
123	PH628-7	vac hose, 2", black, wire reinforced	1
124	C348A	vac motor, lx, hybrid, w/inlet tube, 173 cfm, 230v	1

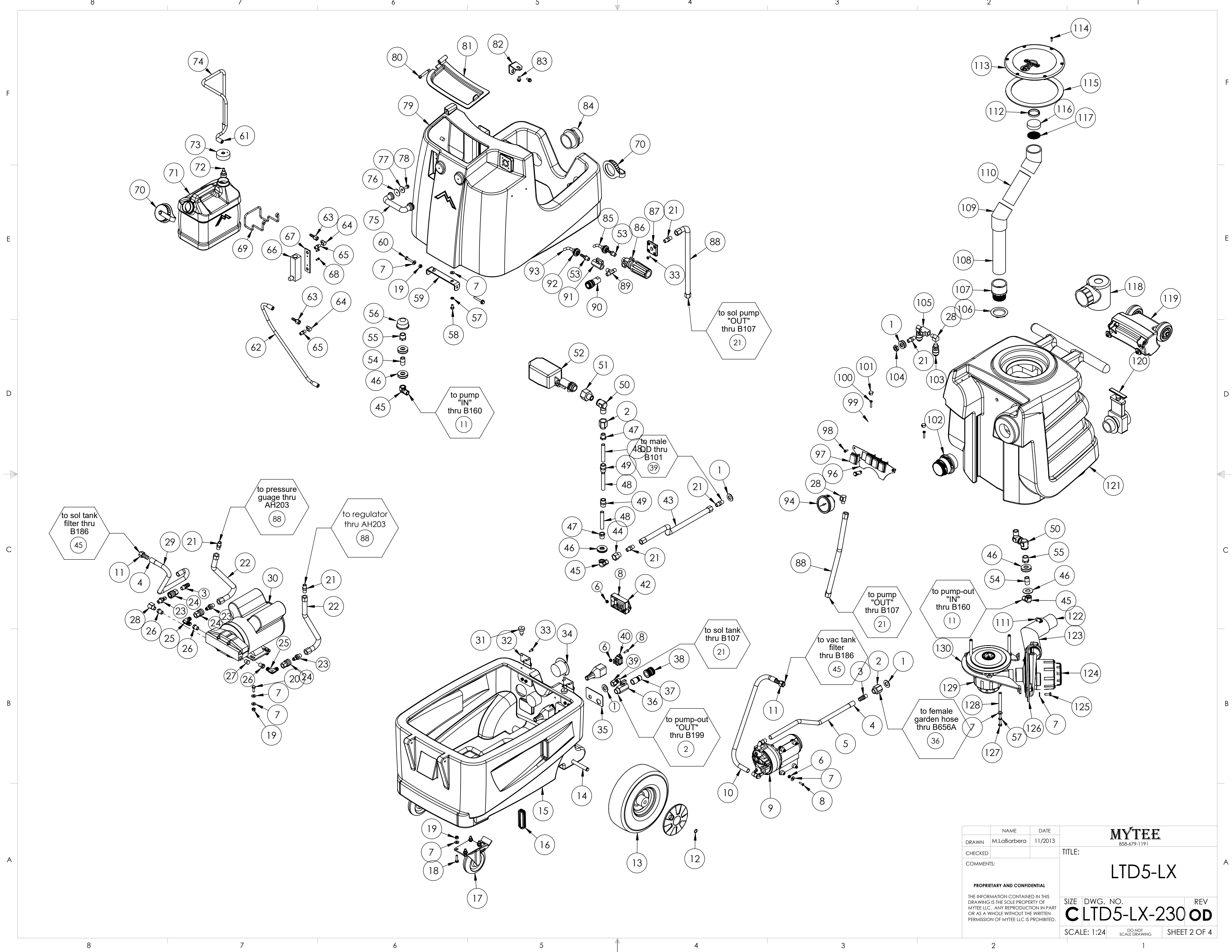
ITEM NO.	PART NO.	DESCRIPTION	QTY.
125	H202	bolt, 1/4-20 x 3/4" hex head, s/s	5
126	H469-B	bracket, vac motor, 6.6", round	1
127	H096	bolt, hex, 1/4-20 x 4", zinc finish	3
128	H503	vac support, 3 stage, 3.25", no thrds	3
129	C347A	vac motor, lx, hybrid, 173 cfm, 220v	1
130	H469-A	bracket, vac motor, 6.6", u-shape	1

ITEMS NOT SHOWN

PART NO.	DESCRIPTION	QTY
E530	power cord, ext, blue lit, 50', 12/3, sjtw solid jacket	2
E355	harness, electrical, LTD5	1
G008	black piglet filter	1
G076	filter bag, 3.5" metal o-ring, mesh bag	1
H110V	Cuff-Lynx, 2" fem cuff x 2" fem vac hose, vinyl	1
H141V	Cuff-Lynx, 2" fem cuff x 1.5" fem vac hose, vinyl	1
P568A	cord lock, S-type	2
ADM Cuff Lynx	Cuff-Lynx instruction guide	1



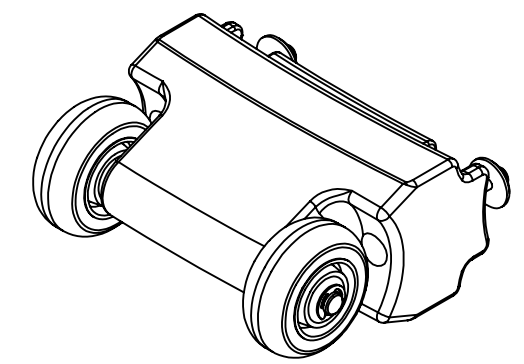
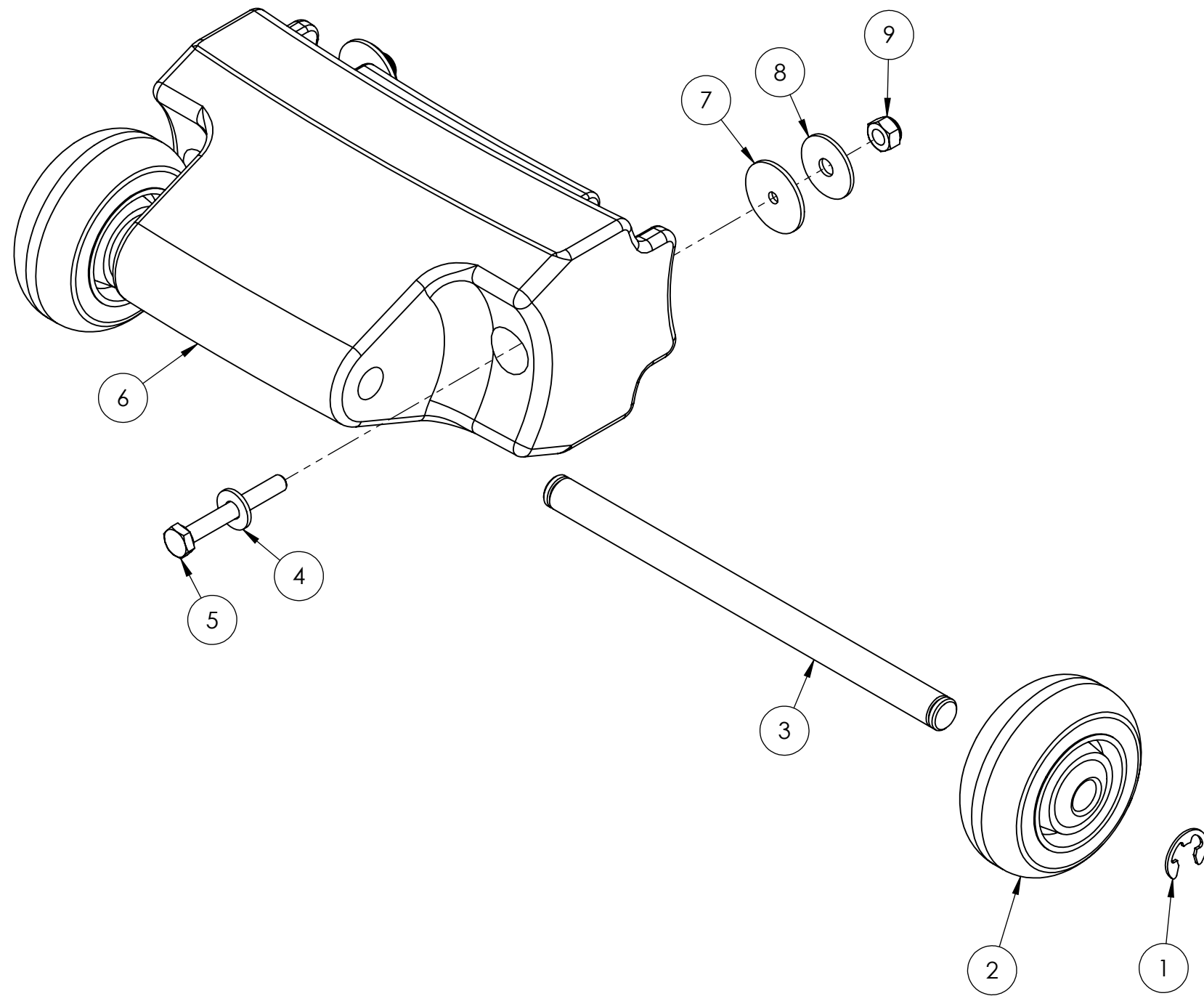
NAME	DATE							
DRAWN M.LaBarbera	11/2013							
CHECKED		TITLE:						
COMMENTS:		LTD5-LX						
<small>PROPRIETARY AND CONFIDENTIAL</small> <small>THE INFORMATION CONTAINED IN THIS DRAWING IS THE SOLE PROPERTY OF MYTEE LLC. ANY REPRODUCTION IN PART OR AS A WHOLE WITHOUT THE WRITTEN PERMISSION OF MYTEE LLC IS PROHIBITED.</small>		<table border="1"> <tr> <td>SIZE</td> <td>DWG. NO.</td> <td>REV</td> </tr> <tr> <td>C</td> <td>LTD5-LX-230</td> <td>OD</td> </tr> </table>	SIZE	DWG. NO.	REV	C	LTD5-LX-230	OD
SIZE	DWG. NO.	REV						
C	LTD5-LX-230	OD						
SCALE: 1:12	DO NOT SCALE DRAWING	SHEET 1 OF 4						



	NAME	DATE	MYTEE 858-679-1191	
DRAWN	M.LaBarbera	11/2013		
CHECKED			TITLE:	
COMMENTS:			LTD5-LX	
<small>PROPRIETARY AND CONFIDENTIAL THE INFORMATION CONTAINED IN THIS DRAWING IS THE SOLE PROPERTY OF MYTEE LLC. ANY REPRODUCTION IN PART OR AS A WHOLE WITHOUT THE WRITTEN PERMISSION OF MYTEE LLC IS PROHIBITED.</small>			<small>SCALE: 1:24</small>	<small>DO NOT SCALE DRAWING</small>
			<small>SIZE DWG. NO.</small> LTD5-LX-230 OD	<small>REV</small> 1
			<small>SHEET 2 OF 4</small>	

ITEM NO.	PART NO.	DESCRIPTION	QTY.
1	H042	c-clip, 12mm, external	2
2	H358B	wheel, 3"	2
3	H507	axle, 7.94" x .50" dia	1
4	H210	washer, 1/4" flat, s/s	2
5	H169	bolt, 1/4-20 x 2", hex head	2
6	P650	wheel handle, LTD	1
7	G052	washer, buna 1-1/8" od x 3/16" id	2
8	H211	washer, 1/4" id x 1" od, flat, s/s	2
9	H216	nut, lock, 1/4-20, nylon insert, s/s	2

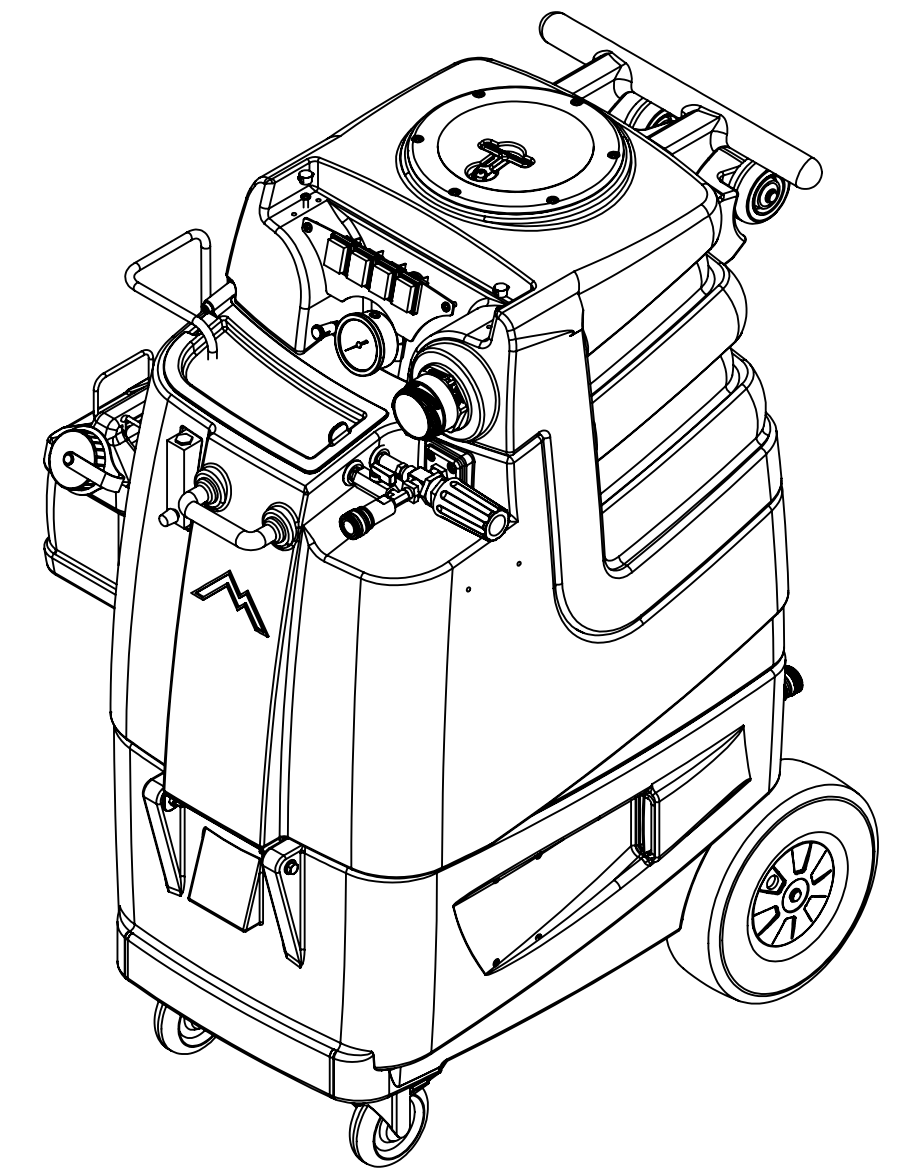
REVISIONS			
REV.	DESCRIPTION	DATE	APPROVED
OD	ORIGINAL DRAFT	3/2019	JFL



DRAWN	M.LaBarbera	DATE	3/2019	MYTEE 858-679-1191	
CHECKED		TITLE:			
COMMENTS:				Handle, Wheel Kit, LTD	
<small>PROPRIETARY AND CONFIDENTIAL</small> <small>THE INFORMATION CONTAINED IN THIS DRAWING IS THE SOLE PROPERTY OF MYTEE LLC. ANY REPRODUCTION IN PART OR AS A WHOLE WITHOUT THE WRITTEN PERMISSION OF MYTEE LLC IS PROHIBITED.</small>				SIZE DWG. NO. REV C LTD5-LX-230 OD	SCALE: 1:4 <small>DO NOT SCALE DRAWING</small>
				SHEET 3 OF 4	

REVISIONS

REV.	DESCRIPTION	DATE	APPROVED
OD	ORIGINAL DRAFT	-	JFL



	NAME	DATE	MYTEE 858-679-1191	
DRAWN	M.LaBarbera	11/2013	TITLE:	
CHECKED			LTD5-LX	
COMMENTS:			SIZE	DWG. NO.
<p>PROPRIETARY AND CONFIDENTIAL</p> <p>THE INFORMATION CONTAINED IN THIS DRAWING IS THE SOLE PROPERTY OF MYTEE LLC. ANY REPRODUCTION IN PART OR AS A WHOLE WITHOUT THE WRITTEN PERMISSION OF MYTEE LLC IS PROHIBITED.</p>			C	LTD5-LX-230
			SCALE: 1:12	DO NOT SCALE DRAWING
			SHEET 4 OF 4	