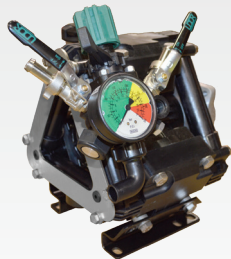
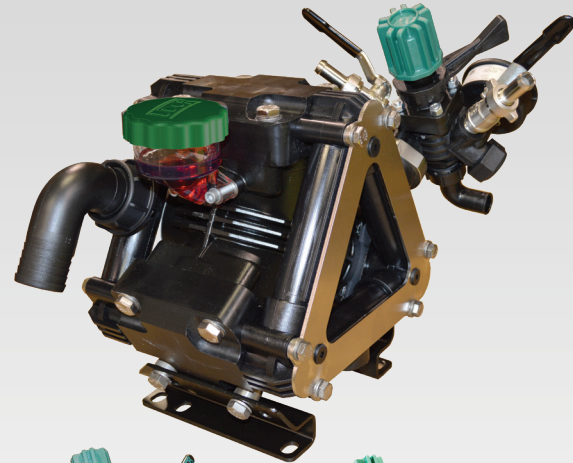


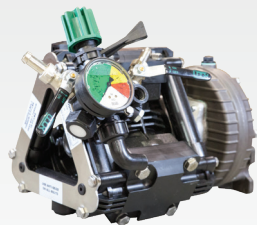
ZETA 40P / ZETA 85P

ZETA 40P & ZETA 85P low pressure 3-cylinder diaphragm pumps have poly heads, externally mounted manifolds and stainless-steel liquid handling parts and hardware components. A control valve with pressure gauge is standard on all models.

ZETA 40P & ZETA 85P pumps are excellent for the soft wash industry and other aggressive fluid applications.



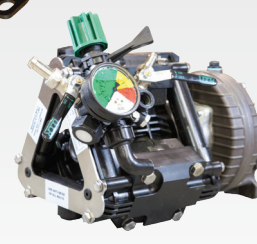
ZETA 40P VA



ZETA 40P VAGR3/4



ZETA-85P VA



ZETA 85P VAGR3/4

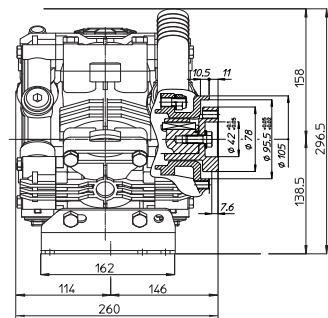
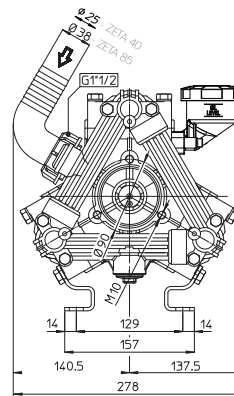
| Model | GPM | l/min | PSI | bar | RPM | Drive Configuration | Weight |
|-------------------------|------|-------|-----|-----|-----|--|--------|
| ZETA 40P VA | 10.5 | 44 | 300 | 20 | 550 | Universal VA Drive Face. | 29 LBS |
| ZETA 40P VAGR3/4 | 10.5 | 44 | 300 | 20 | 550 | Gear Reduction for 3/4" Shaft Gas Engine | 36 LBS |
| ZETA 85P VA | 22.0 | 85 | 300 | 20 | 550 | Universal VA Drive Face. | 29 LBS |
| ZETA 85P VAGR3/4 | 22.0 | 85 | 300 | 20 | 550 | Gear Reduction for 3/4" Shaft Gas Engine | 36 LBS |

| Specifications | ZETA 40P | ZETA 85P |
|---------------------------------|------------------------------|-------------|
| Inlet Port - Hose Barb | 1" HB | 1-1/2" HB |
| Outlet Ports - Hose Barb, Valve | (2) 1/2" HB | (2) 1/2" HB |
| Bypass - Hose Barb | 3/4" HB | 3/4" HB |
| Dimensions - Pump Only | 11"L x 11"W x 12"H | |
| - GR Version | 16"L x 11"W x 12"H | |
| Diaphragm Material | GREENTECH (Std) Buna-N (Opt) | |

Lubrication: Requires 39 oz. of Udor Lube 40W Premium Pump Oil. Alternate Oil: 30W non-detergent or 15W-40 non-detergent oil.

QUICK REFERENCE SERVICE PARTS

| Description | Part # |
|-----------------------------|-----------|
| Diaphragm Kit - GREENTECH | 6062.97 |
| Diaphragm Bolt & Washer Kit | 6062.48 |
| Valve Kit | 6062.H1 |
| Regulator Repair Kit | 6062.A9 |
| Complete Repair Kit | 8700.63CK |



Dimensional Drawings are Shown in Millimeters. To Convert to Inches, Multiply Dimension x 0.03937

Recommended Accessories and Drive Options



6010.96
Control Unit
Regulator w/Gauge



5027.75
Gear Reduction
3/4" Shaft Gas Engines



7751.A3
1" Solid Keyed
Shaft and Bolts



UD1-1/4-16
1-1/4" HI-Flow Filter
16 Mesh Screen



UD1-1/2-16
1-1/2" HI-Flow Filter
16 Mesh Screen



15.5823
Udor Lube
Premium Pump Oil