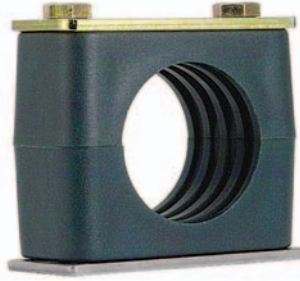
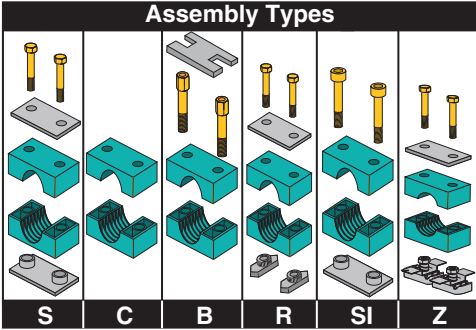
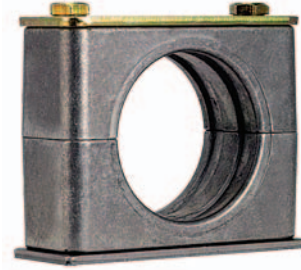


BETA CLAMPS

STANDARD SERIES



Steel w/
Polypropylene
Cushion

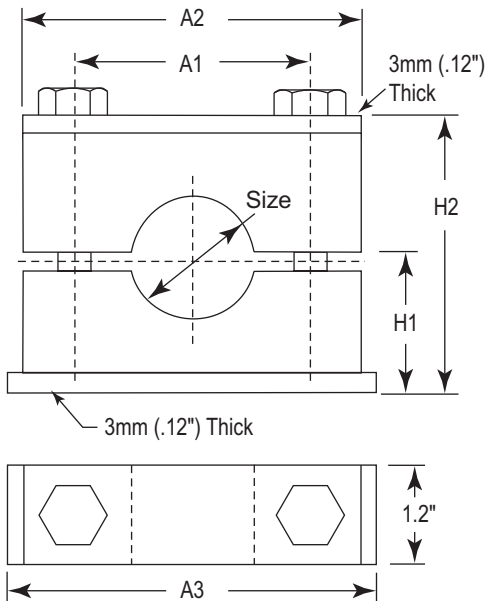


Steel w/
Aluminum
Cushion

BETA STANDARD SERIES

- Cushions are Polypropylene (Green Color)
- Recommended for systems with less than 1500 PSI without dynamic loads.
- Use for standard hydraulics, general pipe construction, electrical cables, and general duty piping applications subject to moderate levels of shock and vibration.
- Aluminum cushions and are used in higher heat applications up to 500 Degrees.

INSTALLATION - Refer to pages 115-116 for complete installation guide.



Group	Part No. *	Tube Size	Pipe Size	Metric Size	Dimensions - inch (mm)					Wt/ 100	Bolt	
					A1	A2	A3	H1	H2			
S1	S-1004	1/4" (0.250)	-	-								
	S-1006	3/8" (0.375)	-	-								
	SM-1006	-	-	6mm	0.78 (20)	1.34 (34)	1.41 (36)	0.62 (16)	1.25 (32)	17	1/4"-20 x 1 1/4"	
	S-1007	-	1/8" (0.405)	-								
	SM-1008	-	-	8mm								
	SM-1012	-	-	12mm								
S2	S-2008	1/2" (0.500)	-	-								
	S-2009	-	1/4" (0.540)	-								
	S-2010	5/8" (0.625)	-	-								
	S-2011	-	3/8" (0.675)	-	1.02 (26)	1.57 (40)	1.65 (42)	0.76 (19.5)	1.54 (39)	20	1/4"-20 x 1 3/8"	
	SM-2014	-	-	14mm								
	SM-2015	-	-	15mm								
	SM-2018	-	-	18mm								
	S3	S-3012	3/4" (0.750)	-	-							
S-3014	-	1/2" (0.840)	-									
S-3015	7/8" (0.875)	-	-	1.29 (33)	1.96 (50)	2.04 (52)	0.80 (20.5)	1.61 (41)	24	1/4"-20 x 1 1/2"		
S-3016	1" (1.000)	-	-									
SM-3020	-	-	20mm									
SM-3025	-	-	25mm									
S4	S-4017	-	3/4" (1.050)	-	1.57 (40)	2.28 (58)	2.36 (60)	0.94 (24)	1.88 (48)	30	1/4"-20 x 1 3/4"	
	S-4018	1 1/8" (1.125)	-	-								
	SM-4030	-	-	30mm								
S5	S-5020	1 1/4" (1.250)	-	-								
	S-5021	-	1" (1.315)	-								
	S-5024	1 1/2" (1.500)	-	-	2.04 (52)	2.75 (70)	2.83 (72)	1.25 (32)	2.52 (64)	40	1/4"-20 x 2 1/2"	
	S-5027	-	1 1/4" (1.660)	-								
	SM-5035	-	-	35mm								
S6	S-6028	1 3/4" (1.750)	-	-	2.59 (66)	3.38 (86)	3.46 (88)	1.41 (36)	2.83 (72)	47	1/4"-20 x 2 3/4"	
	S-6030	-	1 1/2" (1.900)	-								
	S-6032	2" (2.000)	-	-								
S7	S-7038	-	2" (2.375)	-								
	S-7036	2 1/4" (2.250)	-	-	3.70 (94)	4.75 (121)	4.81 (122)	2.00 (51)	4.05 (103)	97	1/4"-20 x 4"	
	S-7040	2 1/2" (2.500)	-	-								
	S-7044	2 3/4" (2.750)	-	-								
	S-7048	3" (3.000)	-	-								
SUFFIX	*For additional sizes contact factory. Note: Add assembly type to part number. Example: S-1004S-SS provides the complete assembly as shown with stainless steel components. NOTE: SM (metric) only available in Steel with Polypropylene (green) cushion.											
		Components	Cushion	Example								
	none	Steel	Polypropylene (green)	S-1004S								
	-AL	Steel	Aluminum	S-1004S-AL								
-SS	Stainless Steel	Polypropylene (green)	S-1004S-SS									