

# CPY Series

CPY250™ LED Canopy/Soffit Luminaire

## Product Description

The CPY250™ LED Canopy/Soffit Luminaire has an extremely thin profile constructed of rugged cast aluminum. It can be surface mounted easily from below the canopy deck and also has the ability to be pendant mounted or hook & cord mounted. Direct imaging of the LEDs is eliminated with a highly efficient patterned flat or 0.91" (23mm) drop glass lens.

**Applications:** Petroleum canopies, CNG fueling stations, low-medium bay general lighting, soffits

## Performance Summary

Made in the U.S.A. of U.S. and imported parts

**CRI:** Minimum 70 CRI

**CCT:** 4000K (+/- 300K), 5700K (+/- 500K) Standard

**Limited Warranty\*:** 10 years on luminaire/10 years on Colorfast DeltaGuard® finish

IP66 Rated (Direct Mount only)

Class I, Division II Hazardous Location for select models

## Accessories

Field-Installed	
<b>Direct Mount Luminaires</b> <b>Canopy Upgrade Kits</b> XA-BXCCMW – for use with Jet-Phillips XA-BXCCNW – for use with ElSCO Franciscan XA-BXCCPW – for use with LSI Dakota or Masters XA-BXCCQW – for use with Whiteway Riviera or Rig-A-Lite XA-BXCCRW – for use with ElSCO Merrit XA-BXCCSW – for use with LSI Richmond or Whiteway Civic	<b>Pendant Mount Luminaires</b> <b>Fitting</b> XA-PSFTG – Pendant Fitting  <b>Pendant Mount Kits</b> XA-PS22KIT – 22" (559mm) XA-PS12KIT – 12" (305mm) XA-PS18KIT – 18" (457mm) - Pendant height from ceiling surface to bottom of fixture; mounting accessories or surface boxes will add to overall height
<b>Direct Mount Junction Box/Stem Kit</b> XA-BXCCJBOX – 6.0" (152mm) H x 3/4" (19mm) NPT Stem - Watertight - Rated for feed through 8 (4 in, 4 out) #12 AWC conductors	
<b>Direct Mount Beauty Plates</b> XA-BXCCBPW – Plate Only XA-BXCCBPB12W – Plate w/ 12" (305mm) Backer XA-BXCCBPB16W – Plate w/ 16" (406mm) Backer	

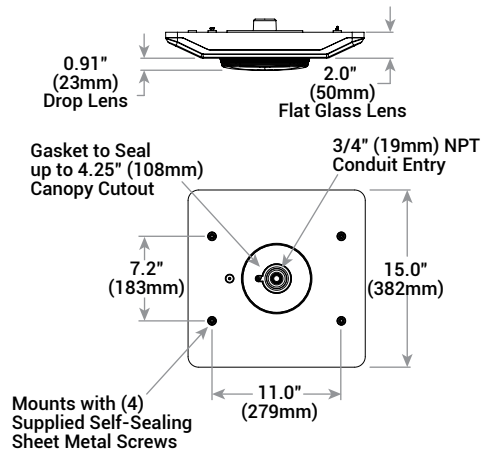
## DM Mount



Flat Lens



Drop Lens



## Ordering Information

Example: CPY250 A DM D A-UL SV

Product	Version	Mounting	Optic	Input Power Designator	-	Voltage	Color Options	Options
CPY250	A	DM Direct HC Hook & Cord PD Pendant	D 0.91" (23mm) Drop Lens F Flat Lens	A 82W B 122W C 43W	- US * Canada	UL Universal 120-277V UH Universal 347-480V*	SV Silver BK Black BZ Bronze PB Platinum Bronze WH White	<b>40K</b> 4000K Color Temperature - Color temperature per luminaire <b>DIM</b> 0-10V Dimming - Available with Input Power Designator B only - Control by others - Refer to Dimming spec sheet for details - Can't exceed wattage of specified Input Power Designator <b>ML</b> Multi-Level - Available with Input Power Designator B only - Refer to ML spec sheet for details - High: 100%, Low: 30% <b>PML</b> Programmable Multi-Level - Available with Input Power Designator B only - Refer to PML spec sheet for details

\* See [www.cree.com/lighting/products/warranty](http://www.cree.com/lighting/products/warranty) for warranty terms  
 \* Available with A & B Input Power Designators only. For input power for 347-480V, refer to Electrical Data table below

**QUICKSHIP™**

For full list of Cree Quick Ship products visit [www.cree.com/lighting/quickship](http://www.cree.com/lighting/quickship)



Rev. Date: V2.07/30/2014



US: [www.cree.com/lighting](http://www.cree.com/lighting)

T (800) 236-6800 F (262) 504-5415

Canada: [www.cree.com/canada](http://www.cree.com/canada)

T (800) 473-1234 F (800) 890-7507

**Product Specifications**

**CONSTRUCTION & MATERIALS**

- Slim, low profile design
- Easy mounting and servicing from below the deck
- Luminaire housing is constructed of rugged cast aluminum with integral heat sink specifically designed for LED
- Direct mount is suitable for use in single or double skin canopies with a minimum 4.0" (102mm) wide panels and a minimum 22 gauge, 0.030" (0.7mm) canopy thickness
- Direct mount luminaire mounts directly to the canopy deck with the drilling of a single 2.0" (51mm) to 4.0" (102mm) round hole, is secured in place with self-sealing screws that provide water-tight seal and includes 3/4" (19mm) conduit entry for direct wire feed
- Hook and cord mount includes a 3' (9.1m) cord out of the fixture and is intended to hang from the single hook
- Pendant mount includes J-Box for customer wiring and is intended to be mounted by 3/4 IP pendant (by others)
- Exclusive Colorfast DeltaGuard® finish features an E-Coat epoxy primer with an ultra-durable powder topcoat, providing excellent resistance to corrosion, ultraviolet degradation and abrasion. Silver, bronze, black, white, and platinum bronze are available
- **Weight:** 12.5 lbs. (5.7kg)

**ELECTRICAL SYSTEM**

- **Input Voltage:** 120-277V or 347-480V (A and B Input Power Designators only), 50/60Hz, Class 1 drivers
- **Power Factor:** > 0.9 at full load
- **Total Harmonic Distortion:** < 20% at full load
- Integral 6kV surge suppression protection standard
- To address inrush current, slow blow fuse or type C/D breaker should be used
- **Operating Temperature Range:** A Input Power Designator: -40°C - +40°C (direct mount to plywood), -40°C - +45°C (direct mount to sheet metal/suspended); B Input Power Designator: -40°C - +35°C (plywood), -40°C - +40°C (sheet metal/suspended); C Input Power Designator: -40°C - +45°C (plywood), -40°C - +50°C (sheet metal/suspended)  
**WARNING:** Exceeding maximum operating temperature may result in thermal foldback

**REGULATORY & VOLUNTARY QUALIFICATIONS**

- cULus listed
- Suitable for wet locations when ordered with DM mount
- Suitable for damp locations when ordered with HC & PD mounts
- Enclosure rated IP66 per IEC 60529 when ordered with DM mount
- Consult factory for CE Certified products
- 6kV surge suppression protection tested in accordance with IEEE / ANSI C62.41.2
- DLC qualified when ordered with A & B input power designators. Please refer to <http://www.designlights.org/QPL> for most current information
- Luminaire and finish endurance tested to withstand 5,000 hours of elevated ambient salt fog conditions as defined in ASTM Standard B 117
- Meets Buy American requirements within ARRA
- Dark Sky Friendly, IDA Approved. Please refer to <http://www.darksky.org/> for most current information
- RoHS compliant when ordered with DM mount
- Class I, Division II Hazardous Location rated when ordered with the following SKUs: CPY250 A DM D B-UL WH, CPY250 A DM F B-UL WH, CPY250 A DM D B-UH WH and CPY250 A DM F B-UH WH. Consult factory for additional details

Electrical Data*								
Input Power Designator	System Watts 120-277V	System Watts 347-480V	Total Current					
			120V	208V	240V	277V	347V	480V
A	82	84	0.69	0.40	0.35	0.32	0.24	0.18
B	122	137	1.04	0.60	0.52	0.46	0.40	0.29
C	43	N/A	0.35	0.21	0.19	0.17	N/A	N/A

\* Electrical data at 25°C (77°F)

Recommended Cree® Outdoor Luminaire Lumen Maintenance Factors (LMF) <sup>1</sup>						
Ambient	Input Power Designator	Initial LMF	25K hr Projected <sup>2</sup> LMF	50K hr Projected <sup>2</sup> LMF	75K hr Calculated <sup>3</sup> LMF	100K hr Calculated <sup>3</sup> LMF
5°C (41°F)	A	1.05	1.00	1.00	0.99	0.98
	B					
	C					
10°C (50°F)	A	1.04	0.99	0.99	0.98	0.97
	B					
	C					
15°C (59°F)	A	1.02	0.97	0.97	0.96	0.95
	B					
	C					
20°C (68°F)	A	1.01	0.96	0.96	0.95	0.94
	B					
	C					
25°C (77°F)	A	1.00	0.95	0.95	0.94	0.93
	B					
	C					
30°C (86°F)	A	1.00	0.95	0.95	0.94	0.93
	B					
	C					

<sup>1</sup> Lumen maintenance values at 25°C (77°F) are calculated per TM-21 based on LM-80 data and in-situ luminaire testing  
<sup>2</sup> In accordance with IESNA TM-21-11, Projected Values represent interpolated value based on time durations that are within six times (6X) the IESNA LM-80-08 total test duration (in hours) for the device under testing (DUT) i.e. the packaged LED chip  
<sup>3</sup> In accordance with IESNA TM-21-11, Calculated Values represent time durations that exceed six times (6X) the IESNA LM-80-08 total test duration (in hours) for the device under testing (DUT) i.e. the packaged LED chip

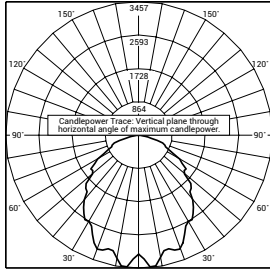


CPY Series

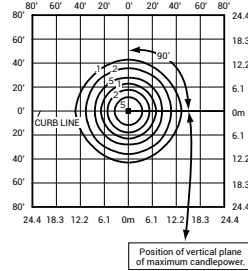
Photometry

All published luminaire photometric testing performed to IESNA LM-79-08 standards by a NVLAP certified laboratory. To obtain an IES file specific to your project consult: <http://www.cree.com/lighting>.

DROP LENS



CESTL Test Report #: 2013-0111  
CPY250 A \*\* D A-UL  
Initial Delivered Lumens: 8,356



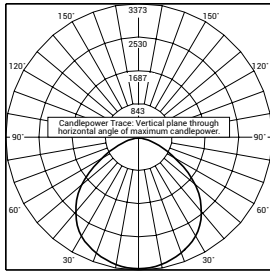
CPY250 A \*\* D A-UL  
Mounting Height: 15' (4.6m)  
Initial Delivered Lumens: 8,000  
Initial FC at grade

Drop Lens Distribution

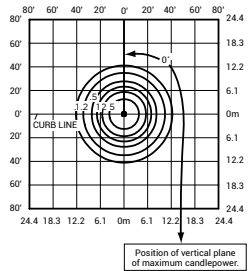
Input Power Designator	4000K		5700K	
	Initial Delivered Lumens*	BUG Ratings** Per TM-15-11	Initial Delivered Lumens*	BUG Ratings** Per TM-15-11
A	7,600	B3 U2 G1	8,000	B3 U2 G1
B	12,400	B3 U2 G2	13,000	B3 U2 G2
C	4,400	B2 U2 G1	4,620	B2 U2 G1

\* Initial delivered lumens at 25°C (77°F). Actual production yield may vary between -4 and +10% of initial delivered lumens  
\*\* For more information on the IES BUG (Backlight-Uplight-Glare) Rating visit: [www.iesna.org/PDF/Erratas/TM-15-11BugRatingsAddendum.pdf](http://www.iesna.org/PDF/Erratas/TM-15-11BugRatingsAddendum.pdf). Valid with no tilt

FLAT LENS



ITL Test Report #: 76866  
CPY250 A \*\* F A-UL  
Initial Delivered Lumens: 8,821



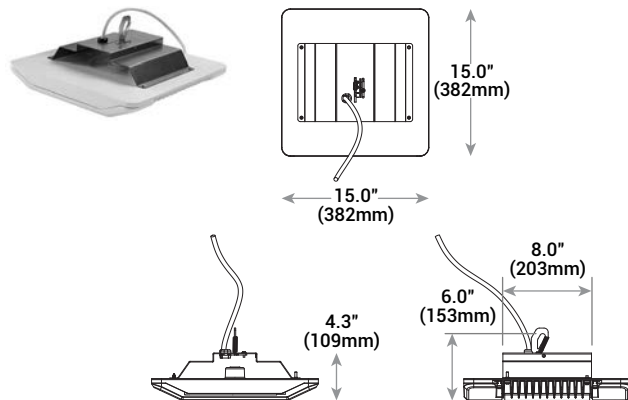
CPY250 A \*\* D A-UL  
Mounting Height: 15' (4.6m)  
Initial Delivered Lumens: 8,000  
Initial FC at grade

Flat Lens Distribution

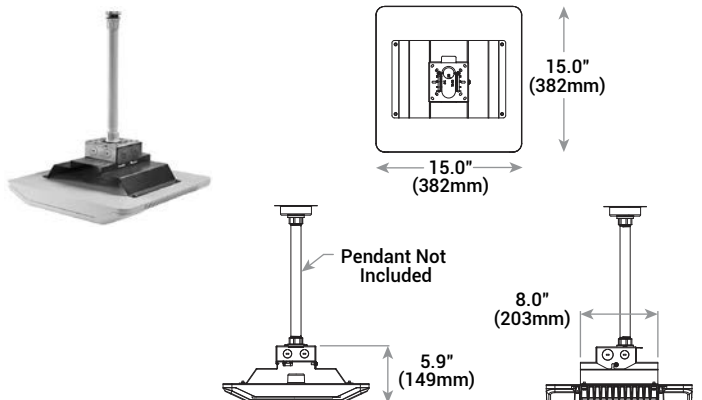
Input Power Designator	4000K		5700K	
	Initial Delivered Lumens*	BUG Ratings** Per TM-15-11	Initial Delivered Lumens*	BUG Ratings** Per TM-15-11
A	7,600	B3 U0 G1	8,000	B3 U0 G1
B	12,400	B3 U0 G1	13,000	B3 U0 G1
C	4,400	B2 U0 G1	4,620	B2 U0 G1

\* Initial delivered lumens at 25°C (77°F). Actual production yield may vary between -4 and +10% of initial delivered lumens  
\*\* For more information on the IES BUG (Backlight-Uplight-Glare) Rating visit: [www.iesna.org/PDF/Erratas/TM-15-11BugRatingsAddendum.pdf](http://www.iesna.org/PDF/Erratas/TM-15-11BugRatingsAddendum.pdf). Valid with no tilt

HC Mount



PD Mount



© 2014 Cree, Inc. and/or one of its subsidiaries. All rights reserved. For informational purposes only. Content is subject to change. See [www.cree.com/patents](http://www.cree.com/patents) for patents that cover these products. Cree®, the Cree logo, and Colorfast DeltaGuard® are registered trademarks, and CPY250™ and the Quick Ship logo are trademarks of Cree, Inc. The UL logo is a registered trademark of UL LLC. The DesignLights Consortium logo and the DLC QPL Listed logo are registered trademarks of Northeast Energy Efficiency Partnerships, Inc.

