

XSP Series XSPWA03

XSPW™ Wall Pack Luminaire – Wall Mount – Type III

Product Description

XSPW has a slim, low profile design intended for outdoor wall mounted applications. The rugged lightweight aluminum housing and mounting box are designed for installation over standard and mud ring single gang J-Boxes. The luminaire allows for through-wired or conduit entry from the top, bottom, sides and rear. The housing design is intended specifically for LED technology including a weathertight LED driver compartment and thermal management. Optic design features industry-leading NanoOptic Precision Delivery Grid™ system in multiple distributions.

Performance Summary

Utilizes BetaLED® Technology

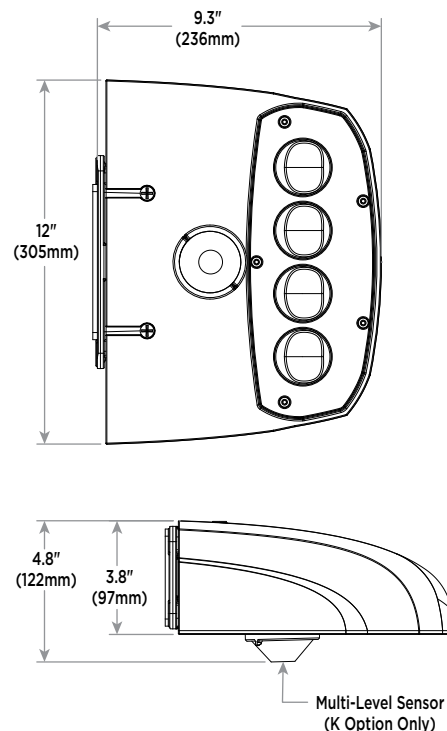
NanoOptic® Precision Delivery Grid™ optic

Made in the U.S.A. of U.S. and imported parts

CRI: Minimum 70 CRI

CCT: 4000K (+/- 300K), 5700K (+/- 500K)

Limited Warranty*: 10 years on luminaire/10 years on Colorfast DeltaGuard® finish



Ordering Information

Example: XSPWA03FC-US

XSPW	A	0	3						
Product	Version	Mounting	Optic	Modules	Input Power Designator	-	Voltage	Color Options	Options
XSPW	A	0 Wall	3 Type III	F Module 4000K M Module 5700K	C 42W G 25W	- US + Canada	U Universal 120-277V 1 120V 2 208-277V	Z Bronze S Silver T Black B Platinum Bronze W White	Y 0-10V Dimming - Control by others - Available with Input Power Designator C only - Refer to dimming spec sheet for details P Photocell - Not available with all K options. - Must specify voltage other than U K Multi-Level - Refer to ML spec sheet for details

* See www.cree.com/lighting/products/warranty for warranty terms



Rev. Date: 02/21/14



Product Specifications

CONSTRUCTION & MATERIALS

- Slim, low profile design
- Luminaire housing specifically designed for LED applications with advanced LED thermal management and driver
- Luminaire mounting box designed for installation over standard and mud ring single gang J-Boxes
- Luminaire can also be direct mounted to a wall and surface wired
- Secures to wall with four 3/16" (5mm) screws (by others)
- Conduit entry from top, bottom, sides, and rear
- Designed and UL approved for easy through-wiring
- Designed for downlight applications only
- Exclusive Colorfast DeltaGuard® finish features an E-coat epoxy primer with an ultra-durable powder topcoat, providing excellent resistance to corrosion, ultraviolet degradation and abrasion. Bronze, silver, black, white, and platinum bronze are available

ELECTRICAL SYSTEM

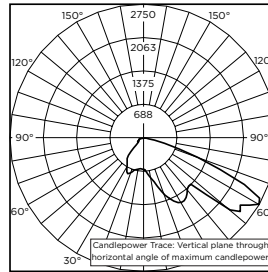
- **Input Voltage:** 120-277V, 50/60Hz, Class 2 output
- **Power Factor:** > 0.9 at full load
- **Total Harmonic Distortion:** < 20% at full load
- Integral 10kV surge suppression protection standard
- To address inrush current, slow blow fuse or type C/D breaker should be used

REGULATORY & VOLUNTARY QUALIFICATIONS

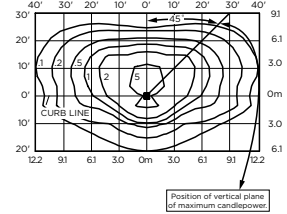
- cULus Listed
- Suitable for wet locations
- Product qualified on the DesignLights Consortium ("DLC") Qualified Products List ("QPL")
- 10kV surge suppression protection tested in accordance with IEEE/ANSI C62.41.2
- Luminaire and finish endurance tested to withstand 5,000 hours of elevated ambient salt fog conditions as defined in ASTM Standard B 117
- Meets Buy American requirements within ARRA

Photometry

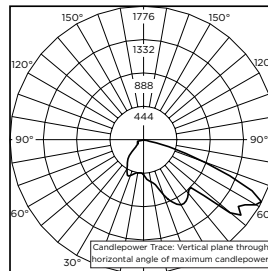
All published luminaire photometric testing performed to IESNA LM-79-08 standards by a NVLAP certified laboratory.



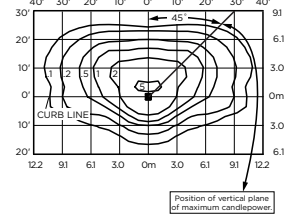
CESTL Test Report #: 2014-0018
BXSPWA*3FC-US
Initial Delivered Lumens: 4,187



BXSPWA*2FC-US
Mounting Height: 10' (3.0m)
Initial Delivered Lumens: 3,819
Initial FC at grade



CESTL Test Report #: 2014-0019
BXSPWA*3FG-US
Initial Delivered Lumens: 2,692



BXSPWA*3FG-US
Mounting Height: 10' (3.0m)
Initial Delivered Lumens: 2,529
Initial FC at grade

Luminaire Weight

Weight
9.5 lbs (4.3kg)

Lumen Output, Electrical, and Lumen Maintenance Data

Type III Distribution										
Input Power Designator	5700K		4000K		System Watts 120-277V Nominal	Total Current				50K Hours Projected Lumen Maintenance Factor @ 15°C (59°F)***
	Initial Delivered Lumens*	BUG Ratings** Per TM-15-11	Initial Delivered Lumens*	BUG Ratings** Per TM-15-11		120V	208V	240V	277V	
C	4,109	B1 U0 G1	3,819	B1 U0 G1	42	.35	.20	.18	.15	99%
G	2,722	B1 U0 G1	2,529	B1 U0 G1	25	.21	.12	.10	.09	100%

* Actual production yield may vary between -4 and +10% of initial delivered lumens
 ** For more information on the IES BUG (Backlight-Uplight-Glare) Rating visit www.iesna.org/PDF/Erratas/TM-15-11BugRatingsAddendum.pdf
 *** For recommended lumen maintenance factor data see TD-13. Projected L_m based on 11,088 hours LM-80-08 testing: > 150,000 hours

