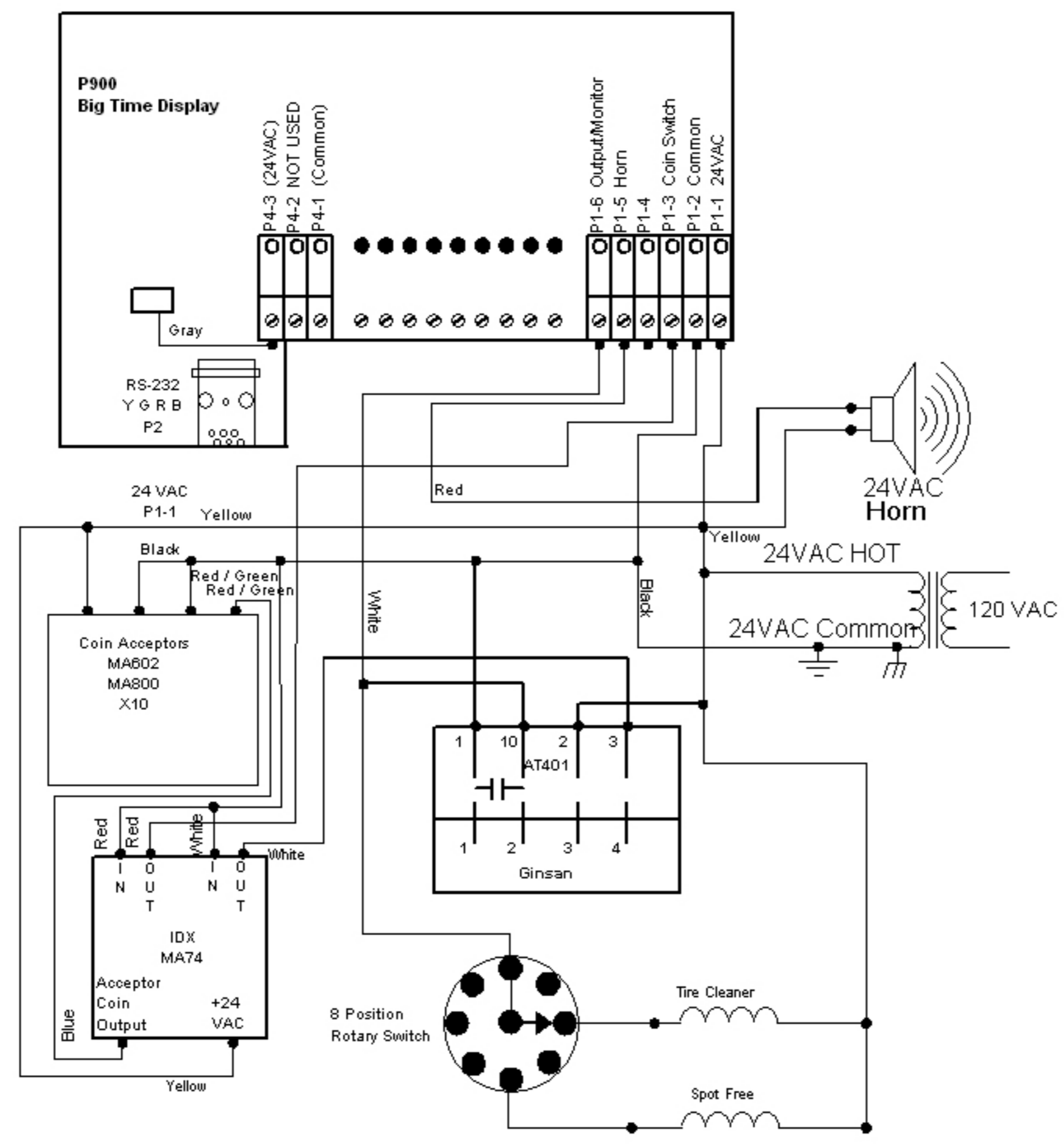


DATE	REVISION	APPV.
09/14/11	Added MA74 for newer Ginsan timers	jn



For IDX AT401
and Ginsan Timers
(MA74 must be used
on Ginsan Timers)

	OFF	ON		LEFT OFF	RIGHT ON
SW1	■	■	Input only or displays "Deposit" message	Input only	Displays "Deposit" message
SW2	■	■	Coin Switch when active pulls input to	Common	24VAC
SW3	■	■	Service Monitor when active pulls input to	Common	24VAC
SW4	■	■	Value of each Coin	\$1.00	\$0.25

IDX, Inc. 401 W. Main St. El Dorado, Ar. 71730			
Title P900 Display w/AT401 & Ginsan			
Size	Number	Rev	
A	wd P900	1	
Date	07/01/2011	Drawn by	J. Nash
Filename	wd P900-1r1.tcw	Sheet	1 of 1